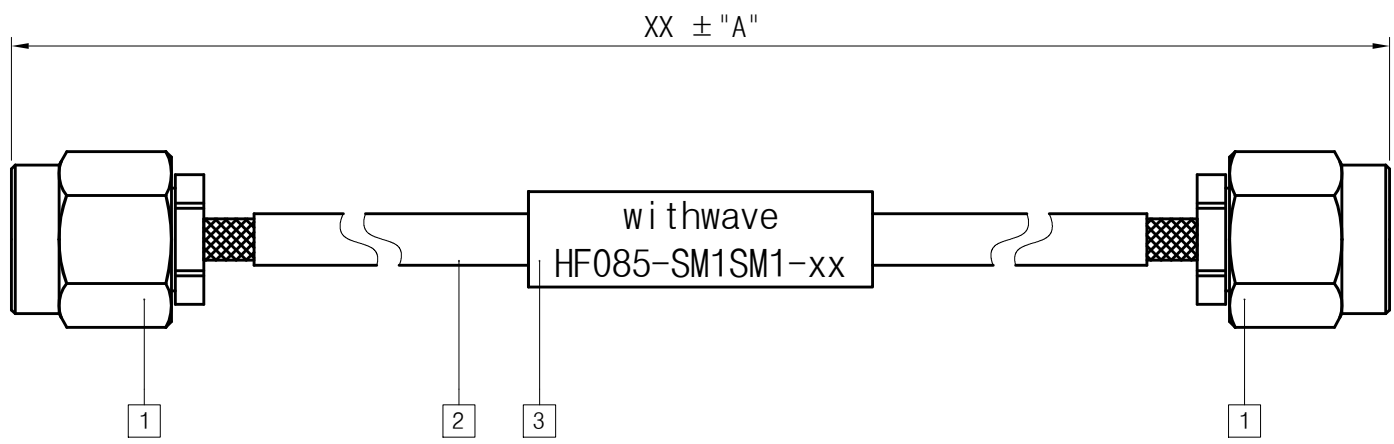


<Specification>

1. Material
 - 1) Connector : SMA Male
 - 2) Cable : HF085 Cable
 - 3) Marking tube(white)
2. Electrical
 - 1) Impedance : 50Ω
 - 2) Frequency range : DC to 18GHz
 - 3) VSWR : 1.3 : 1(DC to 18GHz)
Assembly to be 100% tested for Return loss and Insertion loss.
 - 4) Velocity of propagation : 70%
3. Mechanical
 - 1) Durability : 500 Cycles
4. Environmental
 - 1) Temp. Range : -40°C to +125°C
 - 2) RoHS Compliant



Model (Part No.)	XX (Length)	"A" (Tolerance)
HF085-SM1SM1-6 inch	6 inch (152.4mm)	+0.157 inch / -0 (+4.0mm / -0.0)
HF085-SM1SM1-9 inch	9 inch (228.6mm)	+0.196 inch / -0 (+5.0mm / -0.0)
HF085-SM1SM1-12 inch	12 inch (304.8mm)	+0.196 inch / -0 (+5.0mm / -0.0)

Title	HF085 Cable Assembly SMA(M)-SMA(M) Connector
Part No.	HF085-SM1SM1-xx

THE INFORMATION HEREON/HEREIN IS PROPRIETARY TO WITH-WAVE CO., LTD. IT SHALL NOT BE COUPIED, DISCLOSED OR USED(PARTIALLY OR WHOLLY) IN ANY MANNER WITHOUT PRIOR EXPRESSED WRITTEN AUTHORIZATION OF WITH-WAVE CO., LTD.

Scale	N/A	Date	2025. 12. 01
Unit	inch	Drawn	MS. Kim

withwave	Rev.	-
-----------------	------	---