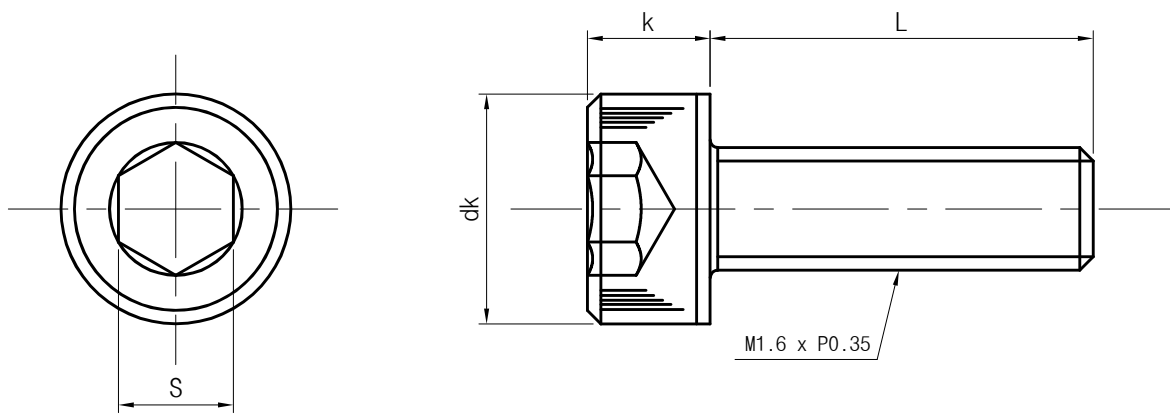


A B C D E F

Revision				
Rev	Description	Drawn	Approved	Date
	Revised the entire drawing to Commercial off-the-shelf	DJKim	Song	20250417

[Note]

1. Material: Stainless Steel



Metric (M)	Pitch	dk		k		S			L
		Max	Min	Max	Min	Standard	Max	Min	
M1.6	P0.35	3.14	2.86	1.6	1.26	1.5	1.56	1.52	5

THE INFORMATION HEREON/HEREIN IS PROPRIETARY TO WITH-WAVE CO., LTD. IT SHALL NOT BE COUPIED, DISCLOSED OR USED(PARTIALLY OR WHOLLY) IN ANY MANNER WITHOUT PRIOR EXPRESSED WRITTEN AUTHORIZATION OF WITH-WAVE CO., LTD.

Tolera-nces	0	± 0.1	$\pm 2.0^\circ$	concen- -tricity		± 0.05	Approved	Song	Date	2017. 11. 17
	0.X	± 0.05	$\pm 1.0^\circ$			± 0.05	Checked	Sun	Name	Hex Soket head screw
	0.XX	± 0.03		tolera-nces		± 0.05	Drawn	Ter i K	No.	M1.6 x P0.35, L5
						± 0.05				
Scale	N/A	unit	mm	Third Angle projection						

A B C D E F