

# Precision Test Adapters

## SMA(F) to SMP(M)

**WithWave's Precision Test Adapters** are designed based on precision microwave interconnection technologies. **This SMA(F) to SMP(M)** adapter is manufactured to precise microwave specifications and constructed with female gender on side 1 and male gender side 2.

The precision microwave connector interfaces ensure an excellent microwave performance up to 26.5 GHz



### ■ Features

- Frequency range : DC to 26.5 GHz
- VSWR : 1.30 : 1(Max) @ 26.5 GHz
- Stainless steel (passivated)
- Full Detent : SMP(M)

### ■ Specification

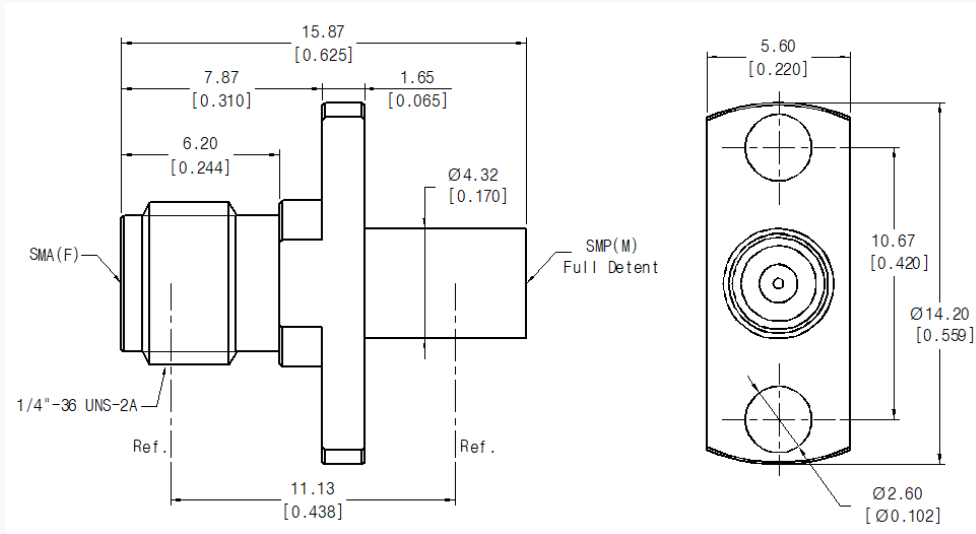
Scope	Specification	AD05M06FS1
Electrical	Impedance(Ohm)	50
	Operation Freq.(GHz)	DC to 26.5 GHz
	VSWR (Max)	1.20 : 1 @ 18.0 GHz 1.30 : 1 @ 26.5 GHz
Material	Dielectric	Special dielectric
	Center Contact	Beryllium copper with gold plated
	Body	Passivated Stainless Steel
	Operating Temperature	-40 to +125 °C

\* RoHS Compliant

### Drawing

Part No.: AD05M06FS1

Unit : mm



### Test Result

Frequency : 10 MHz to 26.5 GHz

