

A

B

C

D

E

F

## &lt;Specification&gt;

## 1. Material

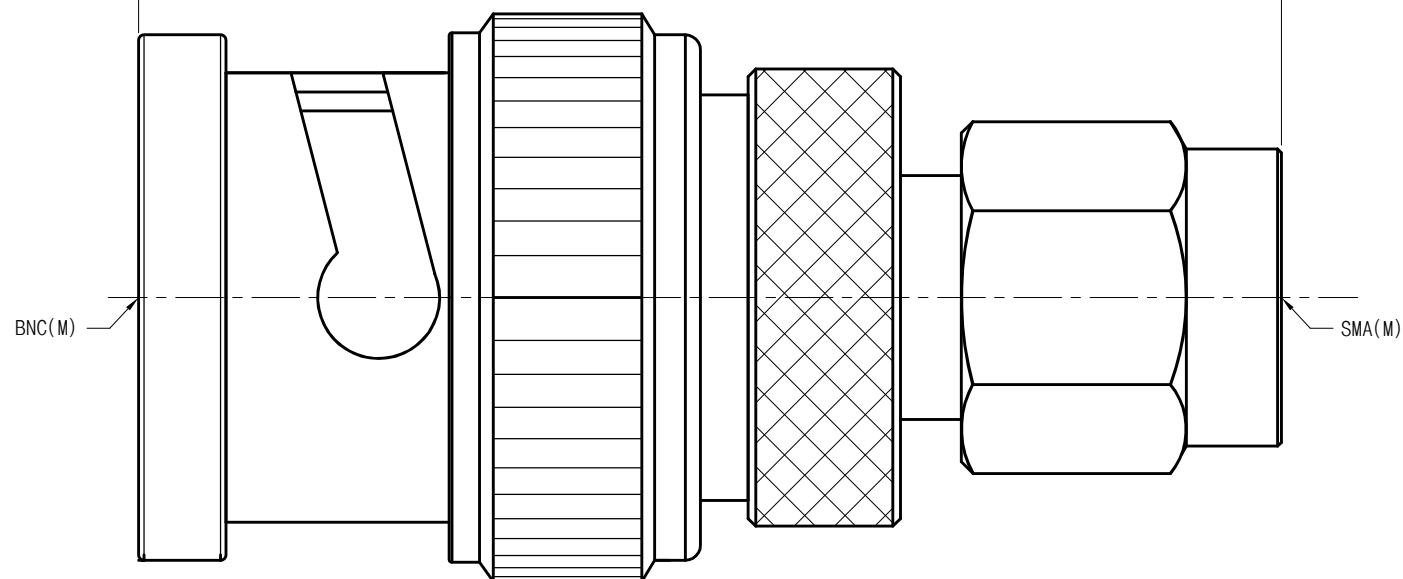
- 1) Body : Brass(Ni Plated)
- 2) Pin : BeCu(Au Plated)
- 3) Insulator : PTFE
- 4) Coupling Nut : Brass(Ni plated)

## 2. Electrical

- 1) Impedance :  $50\Omega$
- 2) Frequency range : DC to 4GHz
- 3) VSWR(dB) : 1.2 : 1(-20.8dB)

## 3. RoHS free

30.00 [1.181]



Title	BNC(M) to SMA(M) Adapter		
Part No.	AD14M06MS1		
Scale	N/A	Date	2025. 11. 03
Unit	mm[inch]	Drawn	MS Kim
			Rev.
			-

THE INFORMATION HEREON/HEREIN IS PROPRIETARY TO WITH-WAVE CO., LTD. IT SHALL NOT BE COUPIED, DISCLOSED OR USED(PARTIALLY OR WHOLLY) IN ANY MANNER WITHOUT PRIOR EXPRESSED WRITTEN AUTHORIZATION OF WITH-WAVE CO., LTD.

A

B

C

D

E

F