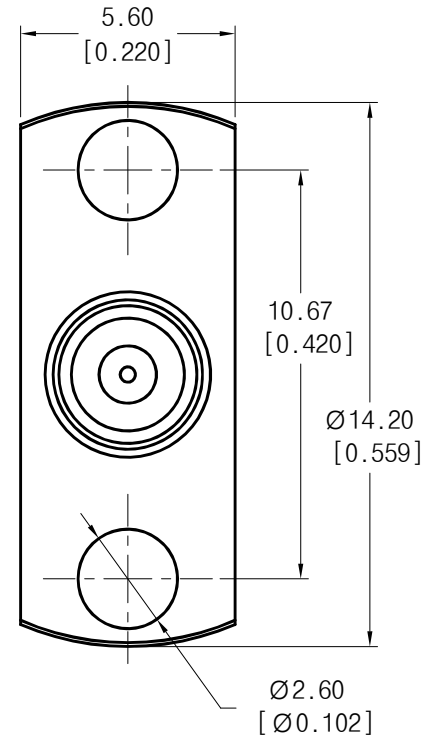
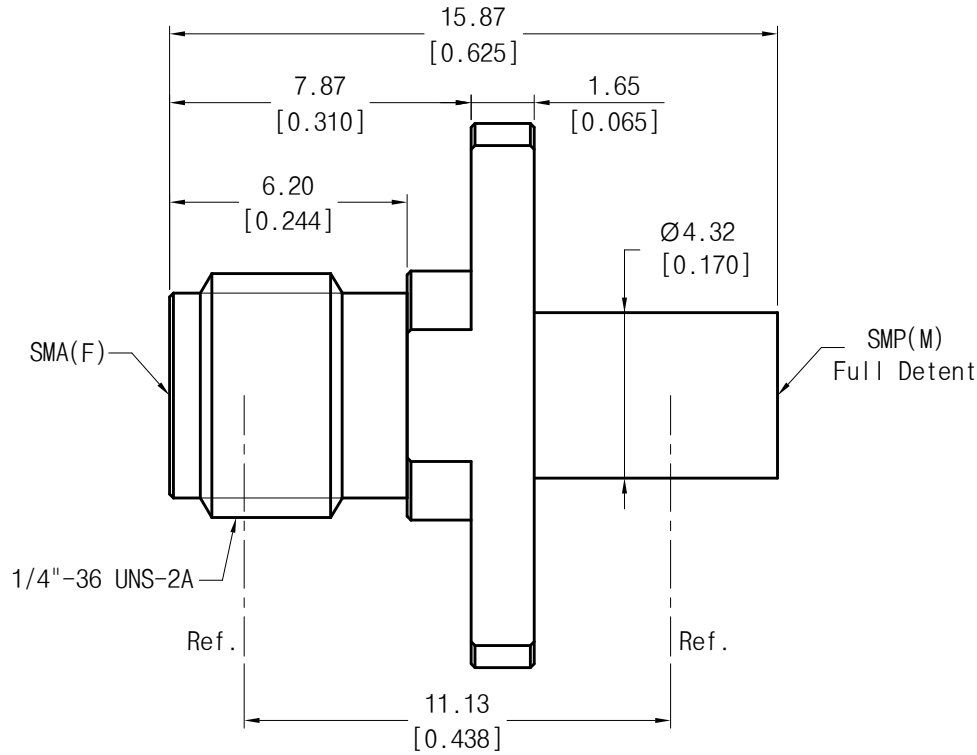


<Specification>

1. Material
 - 1) Body : Stainless steel(Passivated)
 - 2) Pin : BeCu C1720(Au Plated)
 - 3) Insulator : PTFE
2. Electrical
 - 1) Impedance : 50Ω
 - 2) Frequency range : DC to 26.5GHz
 - 3) VSWR(dB) : DC to 18GHz, 1.2 : 1(-20.8dB)
18 to 26.5GHz, 1.3 : 1(-17.69dB)
3. Mechanical
 - 1) Force to Engage and Disengage
<Full Detent>
 - Engage : 6.8kgf Max
 - Disengage : 2.3kgf Min
 - 2) Durability : 100 Cycles
4. Environmental
 - 1) Temp. Range : -40°C to +125°C
 - 2) RoHS Compliant



Title	SMA(F) to SMP(M) 2Hole Adapter	
Part No.	AD05M06FS1	
Scale	N/A	Date
Unit	mm[inch]	Drawn
		Date
		Drawn
		Rev.
		-

THE INFORMATION HEREON/HEREIN IS PROPRIETARY TO WITH-WAVE CO., LTD. IT SHALL NOT BE COUPIED, DISCLOSED OR USED(PARTIALLY OR WHOLLY) IN ANY MANNER WITHOUT PRIOR EXPRESSED WRITTEN AUTHORIZATION OF WITH-WAVE CO., LTD.

Scale	N/A	Date	2021. 03. 05
Unit	mm[inch]	Drawn	Teri K