

WithWave Terminations are composed of broadband, due to the coaxial construction, it offers an excellent performance specified from DC to 18 GHz. Precision SMA Type coaxial connector interfaces ensure a good impedance match across wide bandwidth.

■ Features

- DC to 18 GHz
- VSWR : 1.35 : 1 (Max.)
- Power rating : 5 Watt
- Temperature range : -55 ~ +125 °C

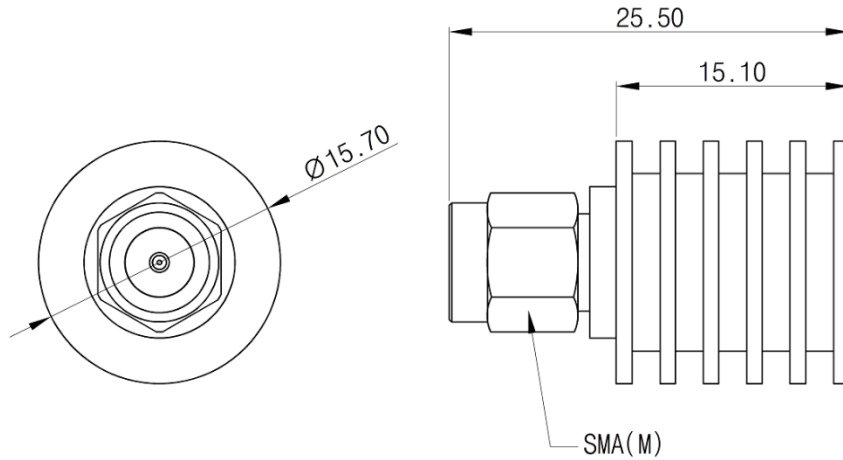


■ Specification

Scope	Specification	TM06-03-01C
Electrical	Impedance(Ohm)	50
	Freq. range (GHz)	DC to 18GHz
	VSWR	1.35 : 1 (Max)
Material	Power rating	5 Watt
	Connector	Brass with nickel plated
	Body	Aluminum Housing, Black Oxidized

■ Drawing

Unit : mm
Outline Tolerances ± 0.5



■ Measurement Result

