

**WithWave's Directional Coupler** offer frequency range from 1.0 GHz to 26.5 GHz and low insertion loss & VSWR. This Coupler (BC10265-20-3F) have 20 dB coupling & 9 dB directivity characteristics.

### ■ Features

- Coupling :  $20 \pm 1.2$ dB
- Directivity : 9 dB (Min.)
- 3.5 mm Connector (Female)



### ■ Specification

Scope	Specification	BC10265-20-SF
Electrical	Impedance	50 Ohm
	Freq. range	1.0 to 26.5 GHz
	Nominal Coupling	$20 \pm 1.2$ dB
	Insertion Loss	1.3 dB (Max.)
	VSWR Primary	1.40: 1 (Typ.) 1.60: 1 (Max.)
	VSWR Secondary	1.50: 1 (Typ.) 1.60: 1 (Max.)
	Directivity	13 dB (Typ.) 9 dB (Min.)
	Average Power	30 W
	Peak Power	2 KW
Mechanical & Environmental	Input / Output Connector	3.5mm (Female)
	Weight	70 g
	Material	Aluminum
	Finishing	Black paint
	Operating Temperature Range	-40 °C to +85 °C

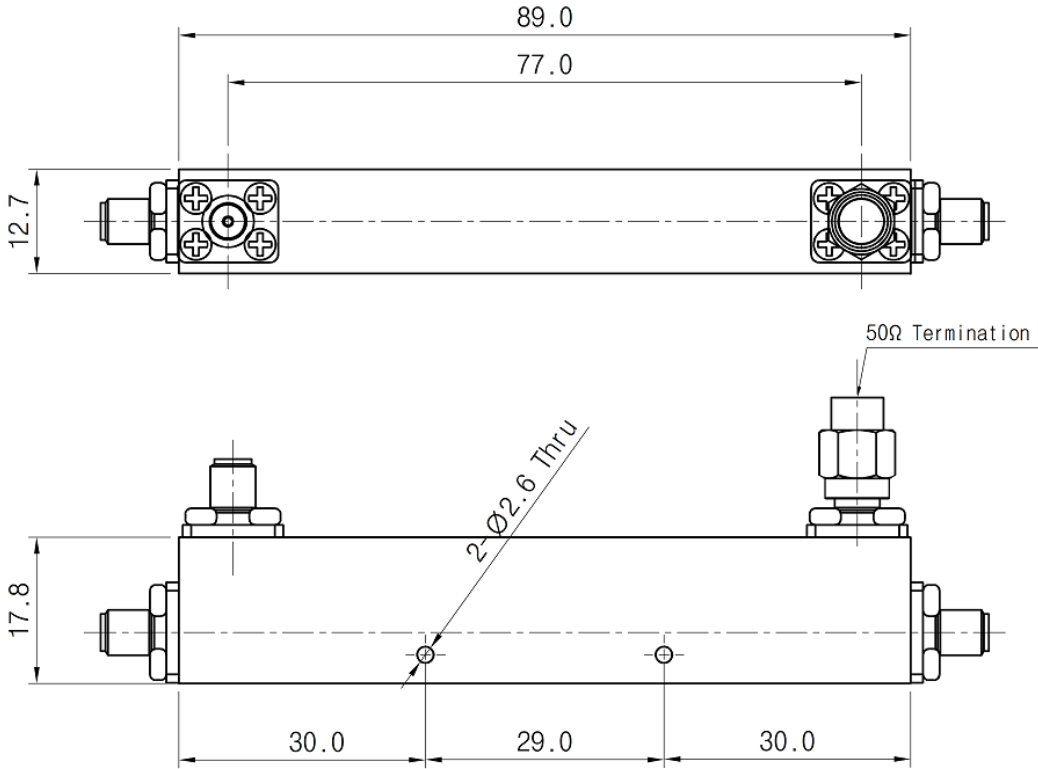
# Directional Coupler

1.0 to 26.5 GHz  
20 dB Coupling

**withwave**  
Next Generation Connectivity

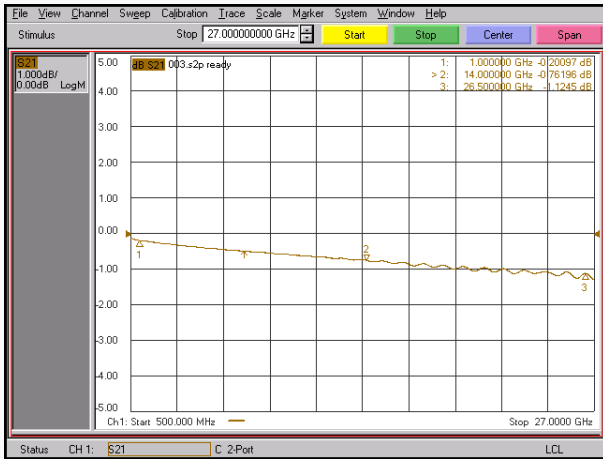
## ■ Drawing

Unit : mm  
Outline Tolerances  $\pm 1.0$   
Mounting Holes Tolerances  $\pm 0.2$

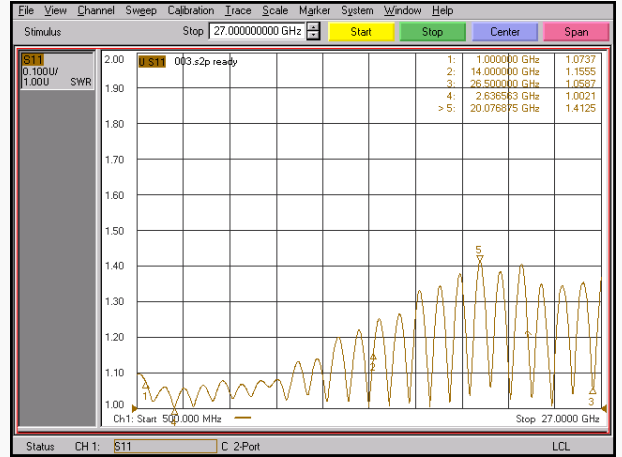


### Measurement

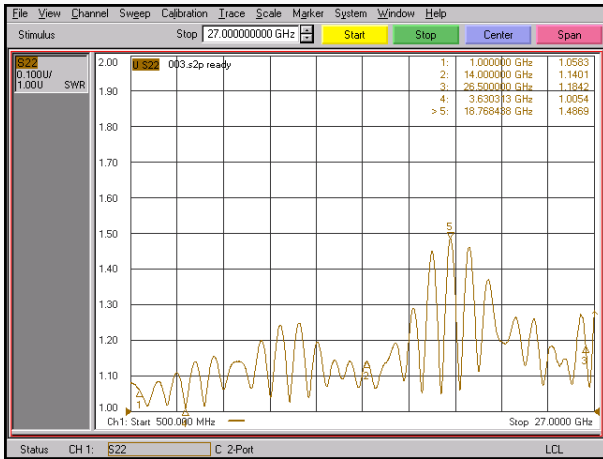
#### Insertion Loss (S21)



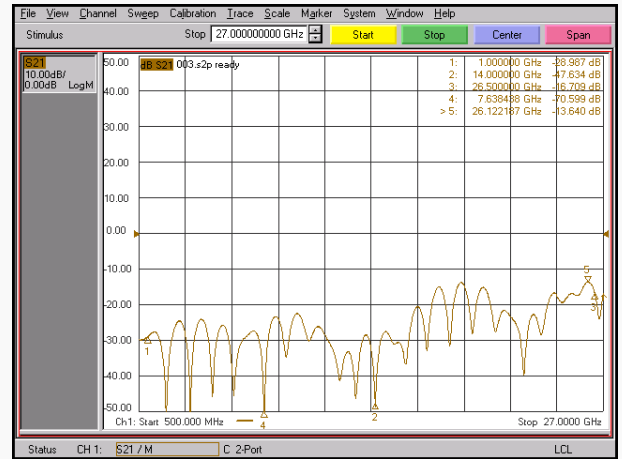
#### Primary VSWR



#### Secondary VSWR



#### Directivity



#### Nominal Coupling

