

WithWave's Directional Coupler offer frequency range from 0.5 GHz to 6 GHz and low insertion loss & VSWR. This Coupler (BC0560-10-SF) have 10 dB coupling & 17 dB directivity characteristics.

■ Features

- Nominal Coupling : 10 dB
- Directivity : 17 dB (Min.)
- SMA Connector (Female)



■ Specification

Scope	Specification	BC0560-10-SF
Electrical	Impedance	50 Ohm
	Freq. range	0.5 to 6 GHz
	Nominal Coupling	10 ± 1 dB
	Insertion Loss	1.2 dB
	VSWR Primary	1.20: 1 (Typ.) 1.30:1 (Max.)
	VSWR Secondary	1.20: 1 (Typ.) 1.30:1 (Max.)
	Directivity	19 dB (Typ.) 17 dB (Min.)
	Average Power	50 W
	Peak Power	1 KW
Mechanical & Environmental	Input / Output Connector	SMA (Female)
	Weight	70 g
	Material	Aluminum
	Finishing	Black paint
	Operating Temperature Range	-40°C to +85 °C

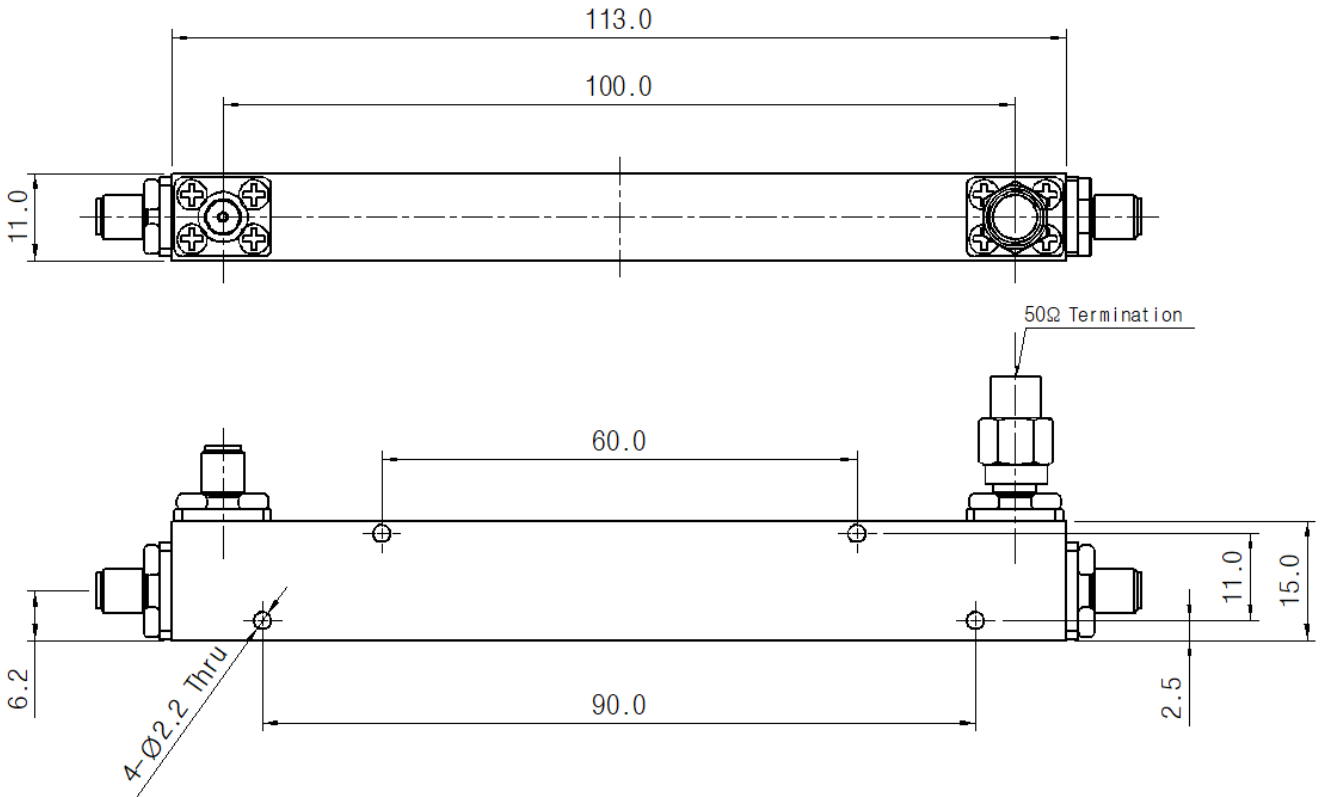
Directional Coupler

0.5 to 6 GHz
10 dB Coupling

withwave
Next Generation Connectivity

■ Drawing

Unit : mm
Outline Tolerances ± 0.5
Mounting Holes Tolerances ± 0.2

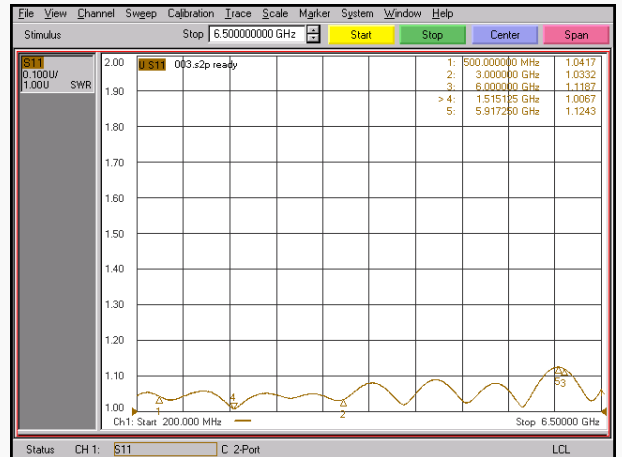


Measurement

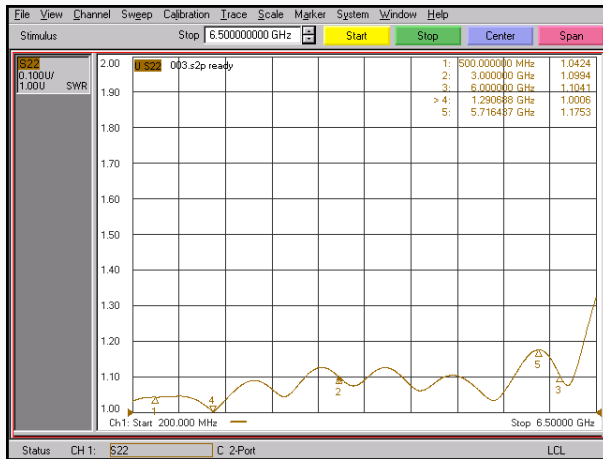
Insertion Loss (S21)



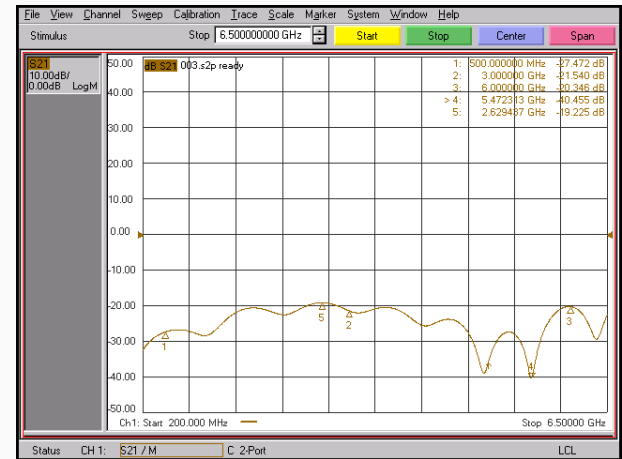
Primary VSWR



Secondary VSWR



Directivity



Nominal Coupling

