

WithWave's Directional Coupler offer frequency range from 0.4 GHz to 20 GHz and low insertion loss & VSWR. This Coupler (BC04200-20-SF) have 20 dB coupling & 12 dB directivity characteristics.

■ Features

- Nominal Coupling : $20 \pm 1.2\text{dB}$
- Directivity : 12 dB (Min.)
- SMA Connector (Female)



■ Specification

Scope	Specification	BC04200-20-SF
Electrical	Impedance	50 Ohm
	Freq. range	0.4 to 20 GHz
	Nominal Coupling	$20 \pm 1.2\text{dB}$
	Insertion Loss	1.0 dB
	VSWR Primary	1.40:1 (Max.)
	VSWR Secondary	1.40:1 (Max.)
	Directivity	12 dB (Min.)
	Average Power	30 W
Peak Power	3 KW	
Mechanical & Environmental	Input / Output Connector	SMA (Female)
	Weight	90 g
	Material	Aluminum
	Finishing	Black paint
	Operating Temperature Range	-40°C to +85°C

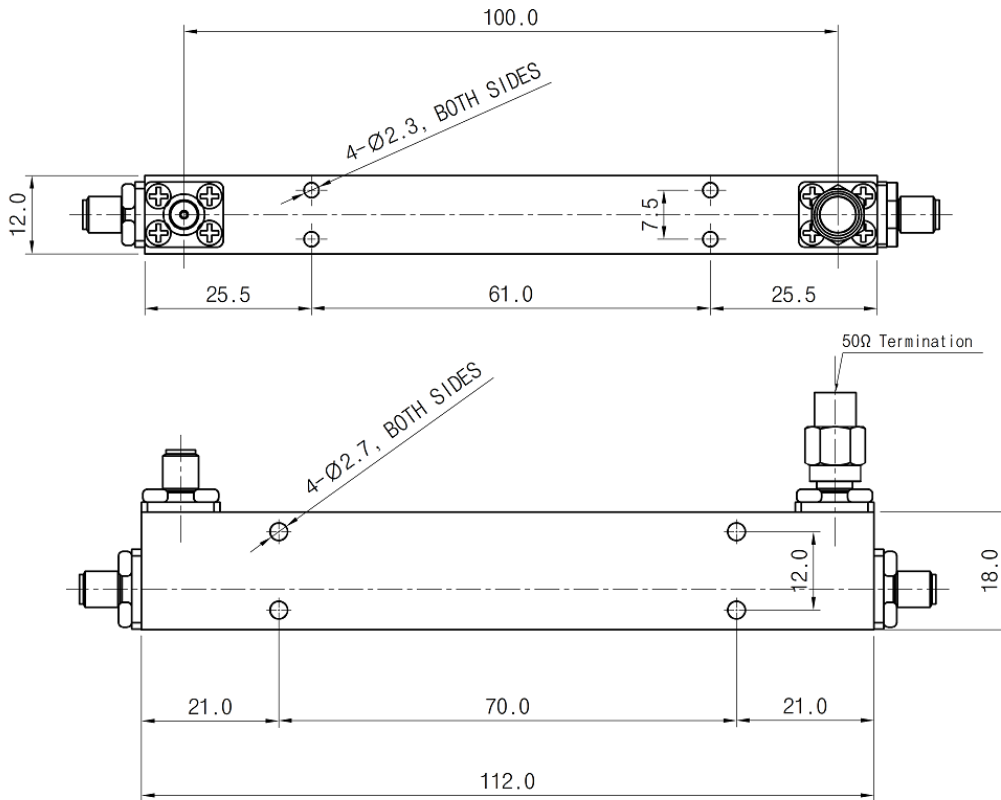
Directional Coupler

0.4 to 20 GHz
20 dB Coupling

withwave
Next Generation Connectivity

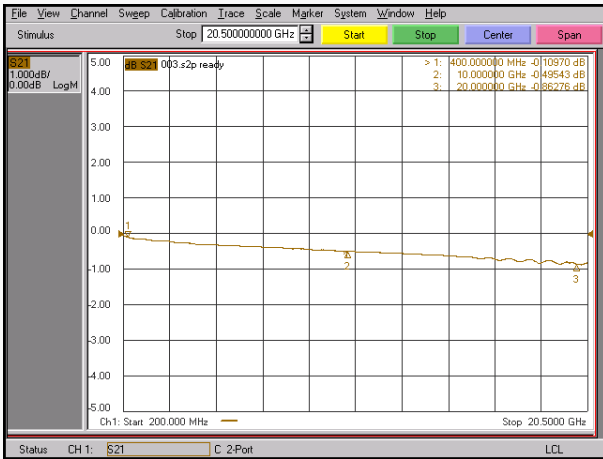
■ Drawing

Unit : mm
Outline Tolerances ± 1.0
Mounting Holes Tolerances ± 0.2

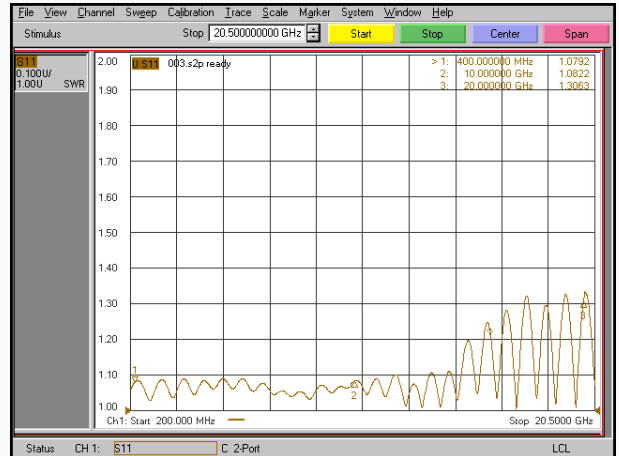


Measurement

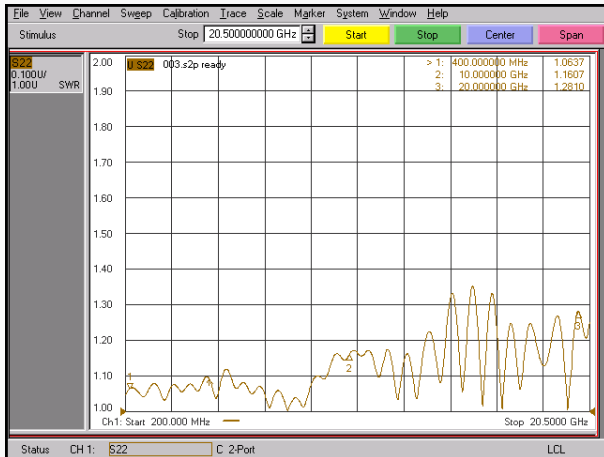
Insertion Loss (S21)



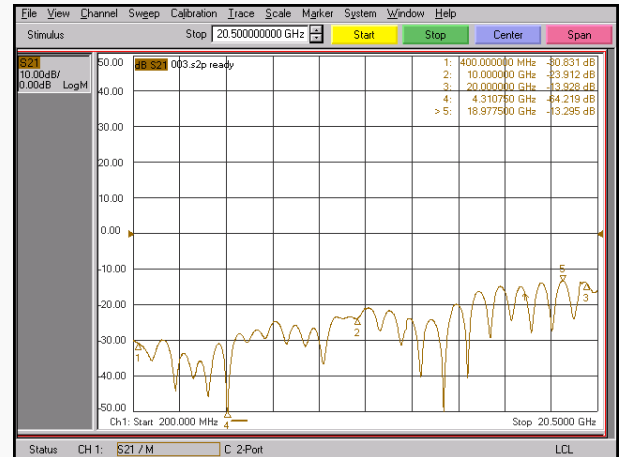
Primary VSWR



Secondary VSWR



Directivity



Nominal Coupling

