

WithWave's terminations are composed of broadband, due to the coaxial construction, it offers excellent performance specified from DC to 4 GHz
Precision N-Type coaxial connector interfaces ensure good impedance match across wide bandwidth.

■ Features

- DC to 4 GHz
- VSWR : 1.2 : 1 (Max.)
- Power rating : 2 Watt
- Temperature range : -55 ~ +125 °C

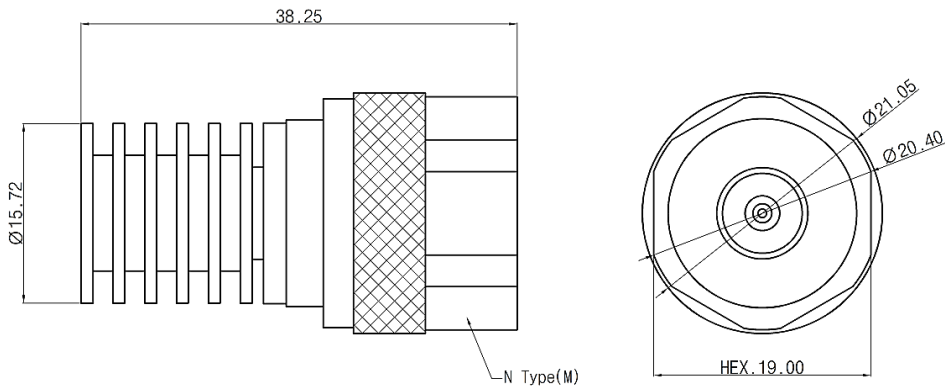


■ Specification

Scope	Specification	TM07-02-03D
Electrical	Impedance(Ohm)	50
	Freq. range (GHz)	DC to 4
	VSWR	1.2 : 1 (Max)
	Power rating	2 Watt
Material	Connector	Brass with nickel plated
	Body	Aluminum Housing, Black Oxidized

■ Drawing

Unit : mm
Outline Tolerances ± 0.5



■ Measurement Result

