

**WithWave Terminations** are composed of broadband, due to the coaxial construction, it offers an excellent performance specified from DC to 18 GHz  
Precision SMA Type coaxial connector interfaces ensure an good impedance match across wide bandwidth.

### ■ Features

- DC to 18 GHz
- VSWR : 1.40 : 1 (Max.)
- Power rating : 10 Watt
- Temperature range : -55 ~ +125 °C

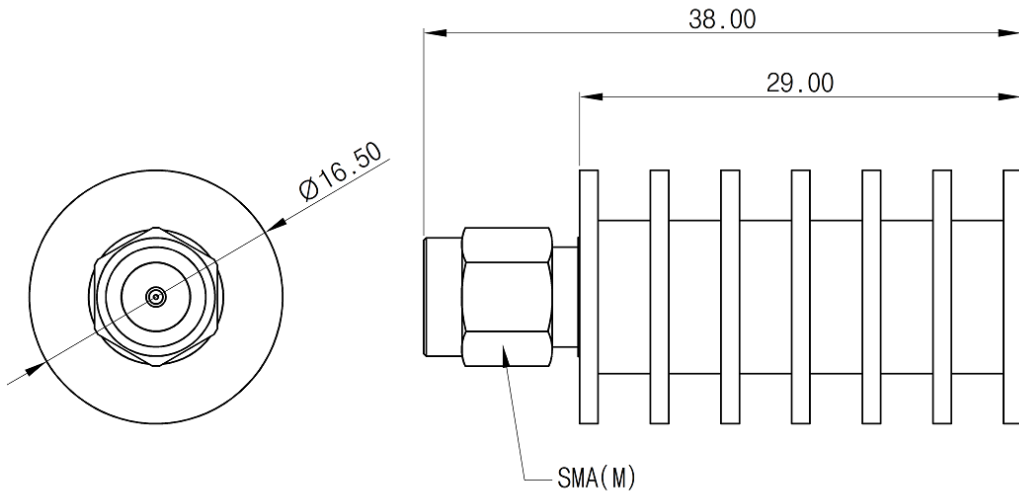


### ■ Specification

Scope	Specification	TM06-04-01C
Electrical	Impedance(Ohm)	50
	Freq. range (GHz)	DC to 18GHz
	VSWR	1.40 : 1 (Max)
	Power rating	10 Watt
Material	Connector	Brass with nickel plated
	Body	Aluminum Housing, Black Oxidized

### ■ Drawing

Unit : mm  
Outline Tolerances  $\pm 1.0$



### ■ Measurement Result

