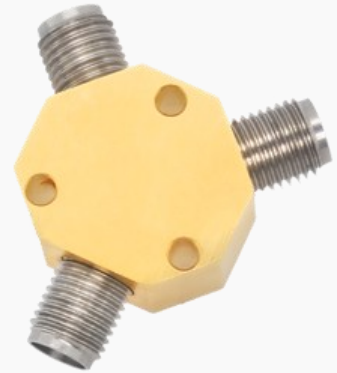


WithWave's Power Divider offer frequency range from DC to 40 GHz and low insertion loss & VSWR. This divider (PD00400-2-KF) have high power handling capacity up to 1 Watt



■ Features

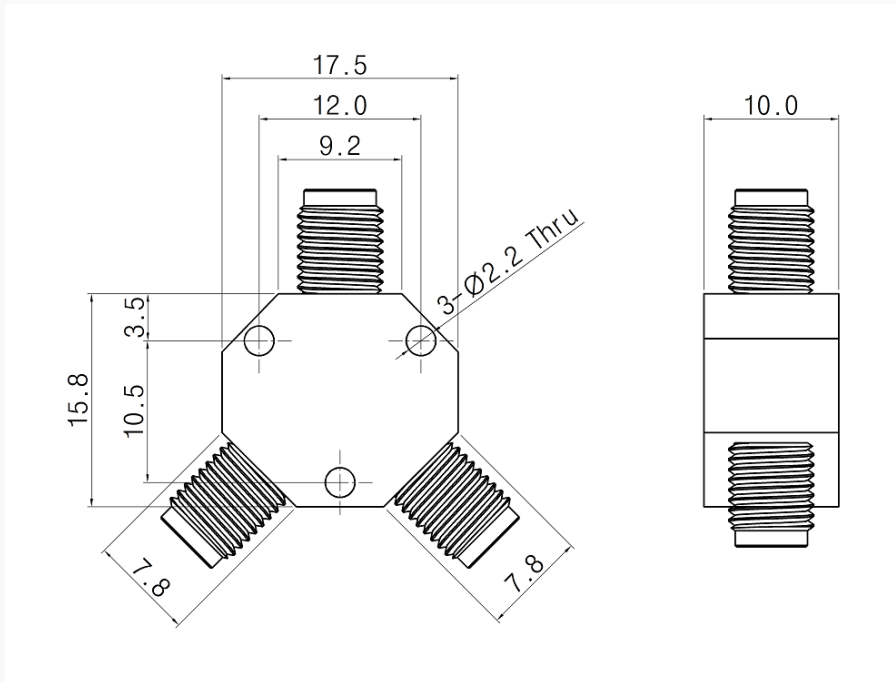
- 2 Way Type
- 2.92 mm Connector (Female)
- Peak Power : 10 Watt (Max.)

■ Specification

Scope	Specification	PD00400-2-KF
Electrical	Impedance	50 Ohm
	Freq. range	DC to 40 GHz
	Insertion Loss (Max.)	7.5 dB
	Isolation (Min.)	12 dB
	VSWR (Max.)	Input 1.5 : 1 Output 2.5 : 1
	Amplitude Imbalance	± 0.4 dB
	Phase Imbalance	± 5 degree
	Power Handling	10 W
	Reverse Power	1 W
Mechanical & Environmental	Port Connector	2.92mm (Female)
	Weight	19 g
	Operation Temperature	-40 °C to +85 °C

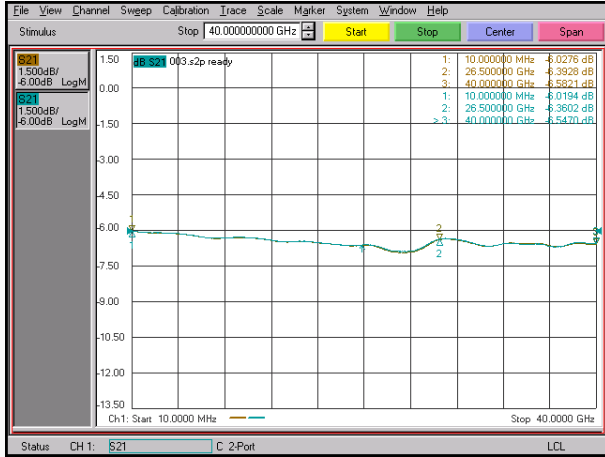
■ Drawing

Unit : mm
Outline Tolerances ± 0.5
Mounting Holes Tolerances ± 0.2

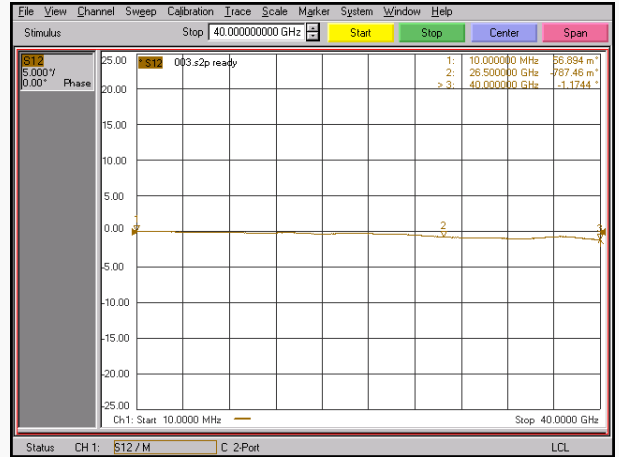


Measurement

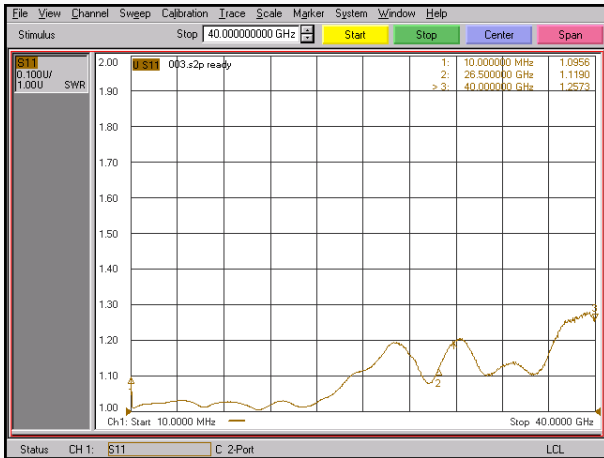
Insertion loss/Amplitude imbalance



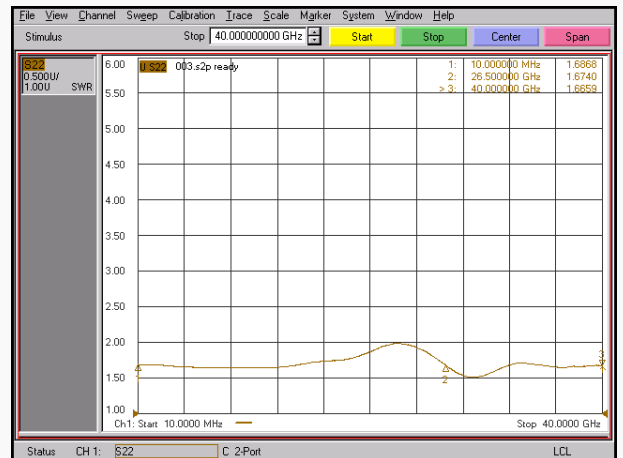
Phase Imbalance



Input VSWR



Output VSWR



Isolation

