

WithWave's Directional Coupler offer frequency range from 2 GHz to 18 GHz and low insertion loss & VSWR. This Coupler (BC20180-30-SF) have 30 dB coupling & 12 dB directivity characteristics.

### ■ Features

- Nominal Coupling :  $30 \pm 1.0$  dB
- Directivity : 12 dB (Typ.)
- SMA Connector (Female)



### ■ Specification

Scope	Specification	BC20180-30-SF
Electrical	Impedance	50 Ohm
	Freq. range	2 to 18.0 GHz
	Nominal Coupling	$30 \pm 1.0$ dB
	Insertion Loss	0.5 dB (Max)
	VSWR Primary	1.30: 1 (Typ.) 1.50: 1 (Max.)
	VSWR Secondary	1.25: 1 (Typ.) 1.50: 1 (Max.)
	Directivity	14 dB (Typ.) 12 dB (Min.)
	Average Power	50 W
	Peak Power	1 KW
Mechanical & Environmental	Input / Output Connector	SMA (Female)
	Weight	30 g
	Material	Aluminum
	Finishing	Gray paint
	Operating Temperature Range	-40 °C to +85 °C

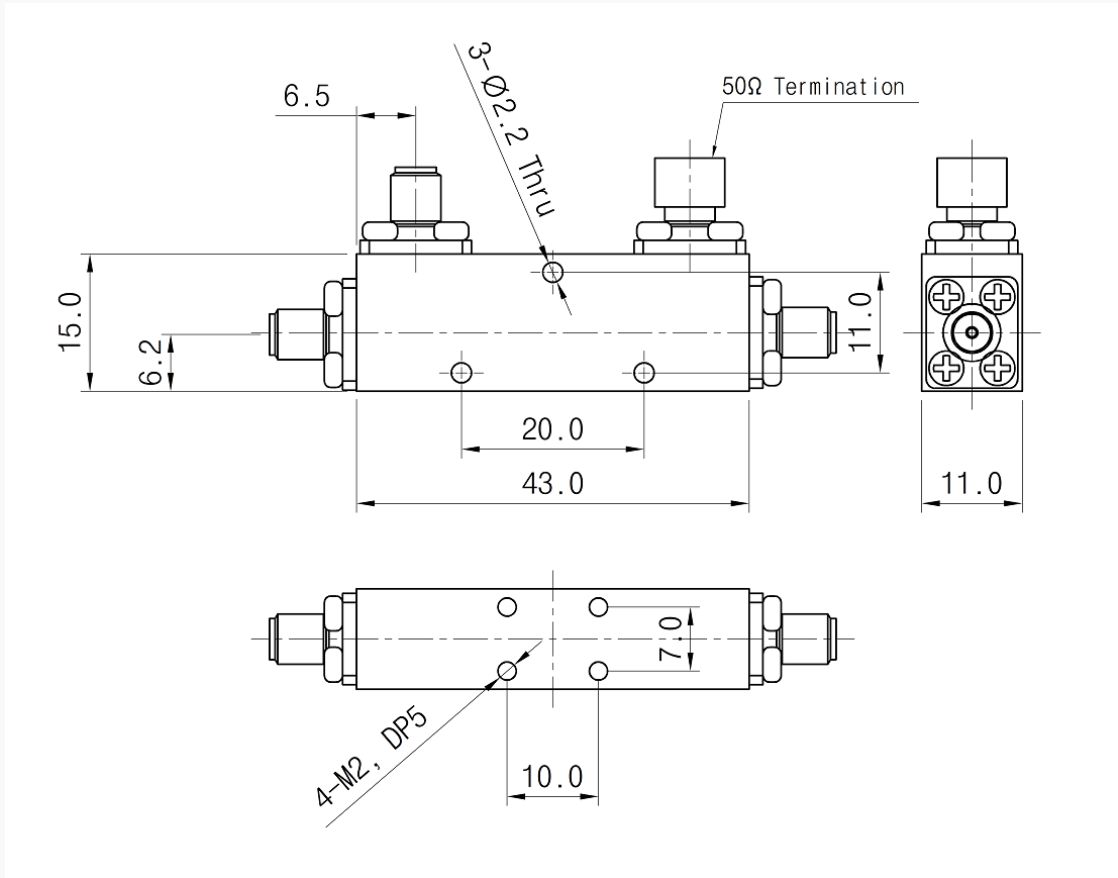
# Directional Coupler

2 to 18 GHz  
30 dB Coupling

**withwave**  
Next Generation Connectivity

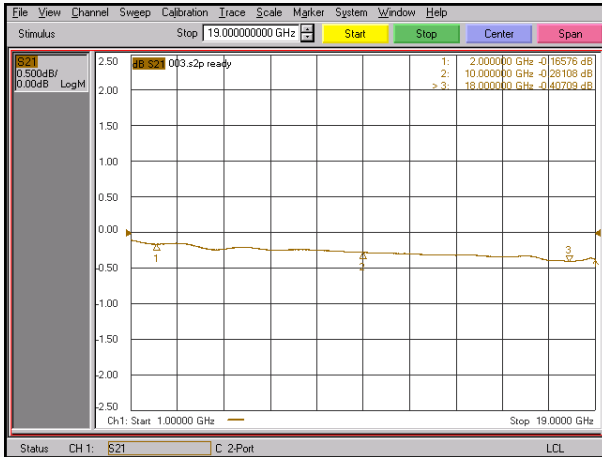
## ■ Drawing

Unit : mm  
Outline Tolerances  $\pm 0.5$   
Mounting Holes Tolerances  $\pm 0.2$

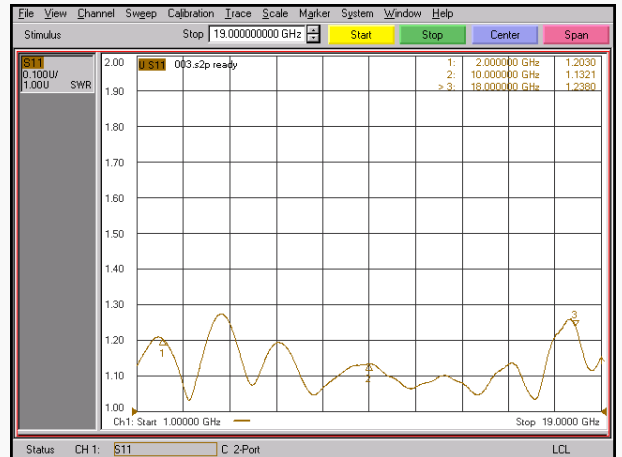


### Measurement

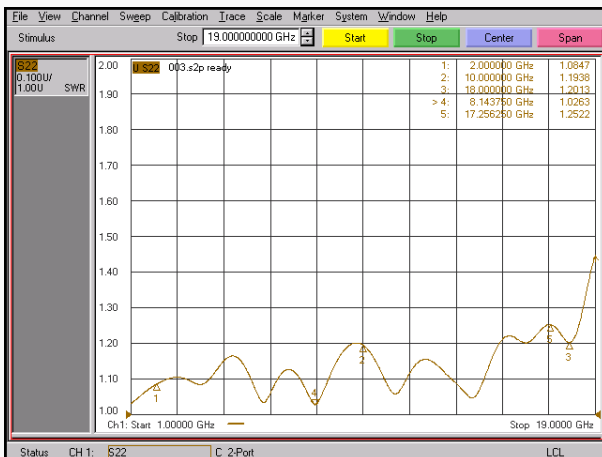
#### Insertion Loss (S21)



#### Primary VSWR



#### Secondary VSWR



#### Directivity



#### Nominal Coupling

