

Precision Test Adapters

N(F) to SMA(F)

WithWave's Precision Test Adapters are designed based on precision microwave interconnection technologies. This N(F) to SMA(F) adapter is manufactured to precise microwave specifications and constructed with female gender on side 1 and female gender side 2. The precision microwave connector interfaces ensure an excellent microwave performance up to 18 GHz.



■ Features

- Frequency range : DC to 18 GHz
- VSWR : 1.2 : 1(Max) @ 18 GHz
- Stainless steel (passivated)

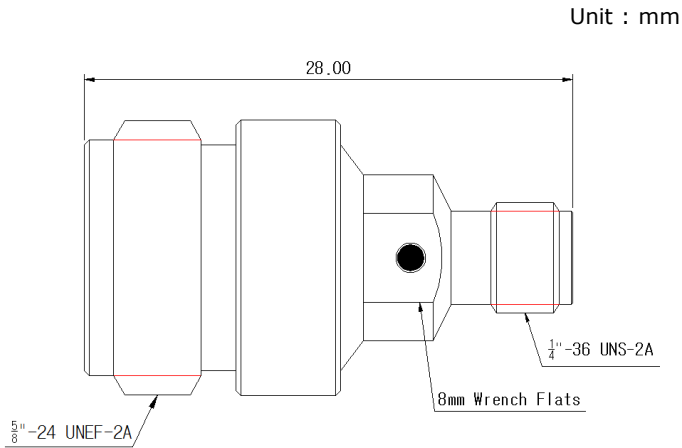
■ Specification

Scope	Specification	AD07F06FS2
Electrical	Impedance(Ohm)	50
	Operation Freq.(GHz)	DC to 18 GHz
	VSWR (Max)	1.2 : 1
Material	Dielectric	PTFE
	Center Contact	Brass (gold plated)
	Body	Passivated Stainless Steel
	Operating Temperature	-40 to +125 °C

* RoHS Compliant

■ Drawing

Part No.: AD07F06FS2



■ Test Result

* Freq. range: 10 MHz to 18 GHz

