

Precision Test Adapters

3.5 mm(F) to 3.5 mm(F)

WithWave's Precision Test Adapters are designed based on precision microwave interconnection technologies. This **3.5mm(F) to 3.5 mm(F)** adapter is manufactured to precise microwave specifications and constructed with female gender on side 1 and female gender on side 2.

The precision microwave connector interfaces ensure an excellent microwave performance up to 34 GHz.



■ Features

- Frequency range : DC to 34 GHz
- VSWR 1.20 : 1 (Max) @ 34 GHz
- Body : Stainless steel (passivated)

■ Specification

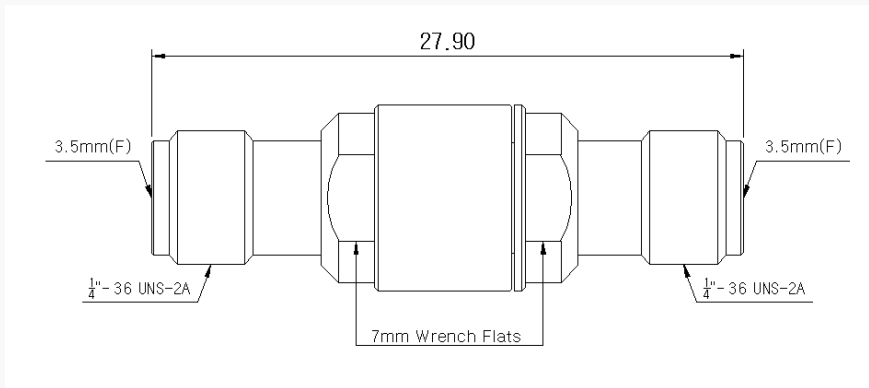
Scope	Specification	AD04F04FS1
Electrical	Impedance(Ohm)	50
	Operation Freq.(GHz)	DC to 34 GHz
	VSWR (Max)	1.20 : 1
Material	Dielectric	Special dielectric
	Center Contact	BeCu with gold plated
	Body	Passivated Stainless Steel
	Operating Temperature	-40 to +125 °C

* RoHS Compliant

■ Drawing

Part No.: AD04F04FS1

Unit : mm



■ Test Result

▪ Frequency : 10 MHz to 34 GHz

