

Precision Test Adapters

2.92 mm(F) to 3.5 mm(F)

WithWave's Precision Test Adapters are designed based on precision microwave interconnection technologies. This 2.92 mm(F) to 3.5 mm(F) adapter is manufactured to precise Microwave specifications and constructed with female gender on side 1 and female gender side 2. The precision microwave connector interfaces ensure an excellent microwave performance up to 34 GHz.



■ Features

- Frequency range : DC to 34 GHz
- VSWR : 1.25 : 1(Max) @ 34 GHz
- Stainless steel (passivated)

■ Specification

| Scope | Specification | AD03F04FS1 |
|------------|-----------------------|-------------------------------|
| Electrical | Impedance(Ohm) | 50 |
| | Operation Freq.(GHz) | DC to 34 GHz |
| | VSWR (Max) | 1.25: 1 |
| Material | Dielectric | Special dielectric |
| | Center Contact | BeCu with gold plated |
| | Body | Passivated Stainless Steel |
| | Operating Temperature | -40 to +125 °C |

* RoHS Compliant

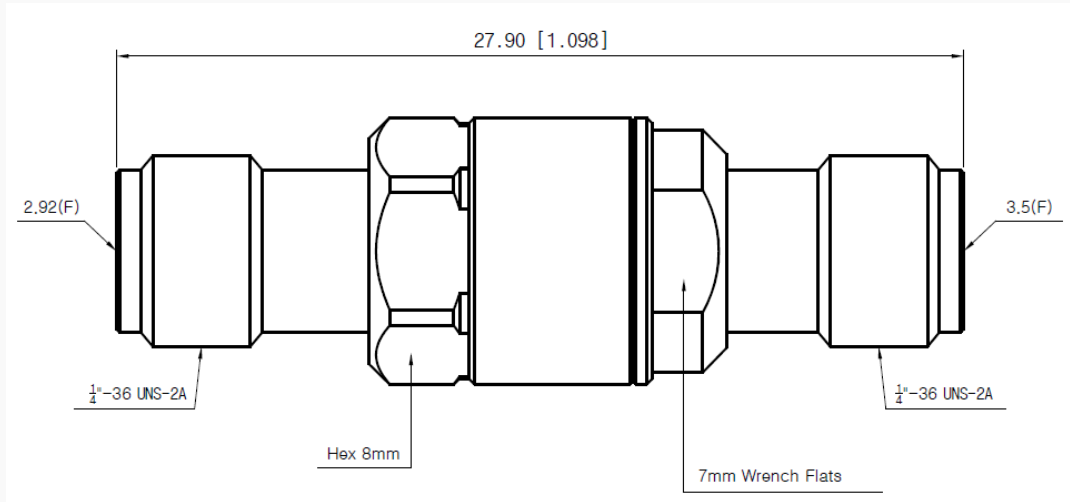
Precision Test Adapters

2.92 mm(F) to 3.5 mm(F)

■ Drawing

Part No.: AD03F04FS1

Unit : mm [inch]



■ Test Result

- Frequency : 10 MHz to 34 GHz

