

Precision Test Adapters

2.92 mm(F) to 2.92 mm(F) : Bulkhead type

WithWave's Precision Test Adapters are designed based on precision microwave interconnection technologies. This 2.92 mm(F) to 2.92 mm(F) adapter with bulkhead is manufactured to precise microwave specifications and constructed with female gender on side 1 and female gender side 2. The precision microwave connector interfaces ensure an excellent microwave performance up to 40 GHz.



■ Features

- Frequency range : DC to 40 GHz
- VSWR : 1.30 : 1(Max) @ 40 GHz
- Stainless steel (passivated)

■ Specification

Scope	Specification	AD03F03FS2
Electrical	Impedance(Ohm)	50
	Operation Freq.(GHz)	DC to 40 GHz
	VSWR (Max)	1.30: 1
Material	Dielectric	Special dielectric
	Center Contact	BeCu with gold plated
	Body	Passivated Stainless Steel
	Operating Temperature	-40 to +125 °C

* RoHS Compliant

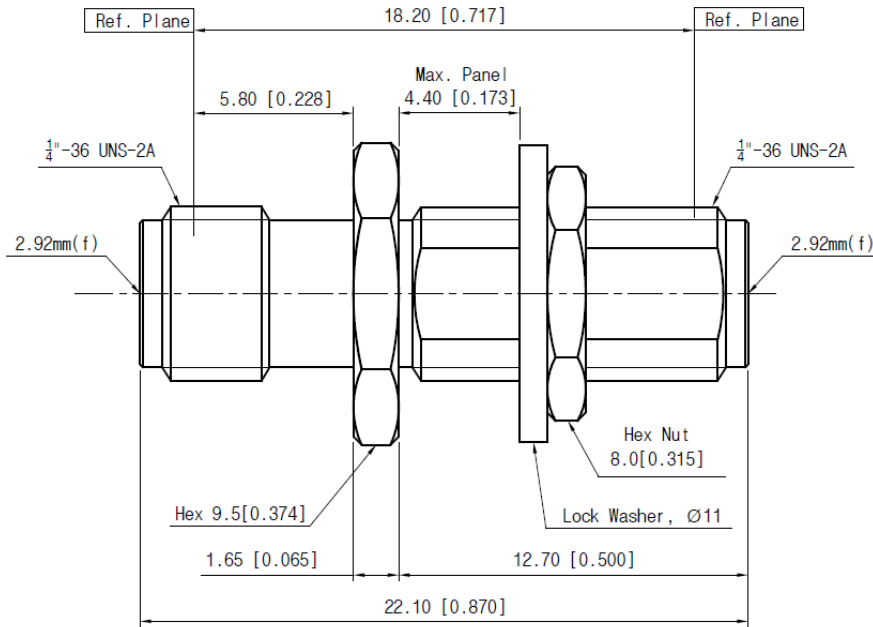
Precision Test Adapters

2.92 mm(F) to 2.92 mm(F) : Bulkhead type

■ Drawing

Unit : mm

Part No.: AD03F03FS2



■ Test Result

