

# Precision Test Adapters

## 1.85 mm(F) to 2.92 mm(F) : Right Angle type

**WithWave's Precision Test Adapters** are designed based on precision microwave interconnection technologies. This 1.85 mm(F) to 2.92 mm(F) **Right Angle adapter** is manufactured to precise microwave specifications and constructed with female gender on side 1 and female gender on side 2.

The precision microwave connector interfaces ensure an excellent microwave performance up to 40 GHz.



### ■ Features

- Frequency range : DC to 40 GHz
- VSWR(Max) : 1.20 : 1
- Body : Stainless steel (passivated)

### ■ Specification

| Scope      | Specification         | AD01F03FR1                 |
|------------|-----------------------|----------------------------|
| Electrical | Impedance(Ohm)        | 50                         |
|            | Operation Freq.(GHz)  | DC to 40 GHz               |
|            | VSWR (Max)            | 1.20 : 1                   |
| Material   | Dielectric            | Special dielectric         |
|            | Center Contact        | Brass with gold plated     |
|            | Body                  | Passivated Stainless Steel |
|            | Operating Temperature | -40 to +125 °C             |

\* RoHS Compliant

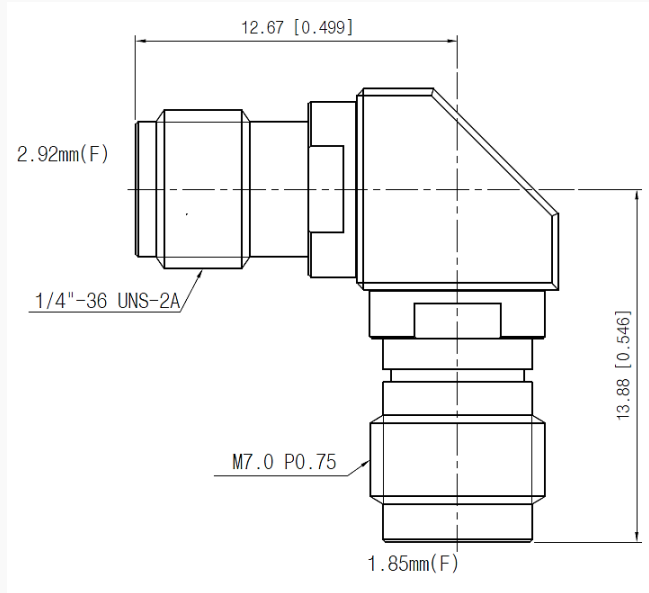
# Precision Test Adapters

1.85 mm(F) to 2.92 mm(F) : Right Angle type

## ■ Drawing

Part No.: AD01F03FR1

Unit : mm[inch]



## ■ Test Result

▪ Frequency : 10 MHz to 40 GHz

