

Precision Test Adapters

1.0 mm(M) to 2.4 mm(F)

WithWave's Precision Test Adapters are designed based on precision microwave interconnection technologies. **This 1.0 mm(M) to 2.4 mm(F)** adapter is manufactured to precise microwave specifications and constructed with male gender on side 1 and female gender on side 2.

The precision microwave connector interfaces ensure an excellent microwave performance up to 50 GHz



■ Features

- Frequency range : DC to 50 GHz
- VSWR : 1.3 : 1(Max) @ 50 GHz
- Stainless steel (passivated)

■ Specification

| Scope | Specification | AD00M02FS1 |
|------------|-----------------------|-----------------------------------|
| Electrical | Impedance(Ohm) | 50 |
| | Operation Freq.(GHz) | DC to 50 GHz |
| | VSWR (Max) | 1.3 : 1 @ 50 GHz |
| Material | Dielectric | Special dielectric |
| | Center Contact | Beryllium copper with gold plated |
| | Body | Passivated Stainless Steel |
| | Operating Temperature | -40 to +125 °C |

* RoHS Compliant

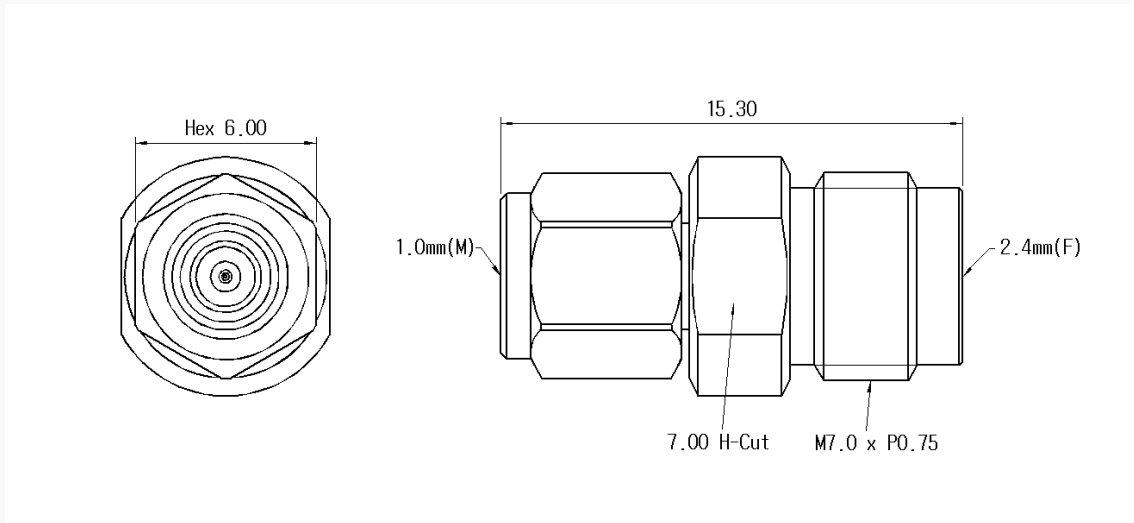
Precision Test Adapters

1.0 mm(M) to 2.4 mm(F)

■ Drawing

Part No.: AD00M02FS1

Unit : mm



■ Test Result

▪ Frequency : 10 MHz to 50 GHz

