

<Specification>

1. Material

- 1) Body : Brass (Au Plated)
- 2) Center Conductor : Brass (Au Plated)
- 3) Insulator : LCP

2. Electrical

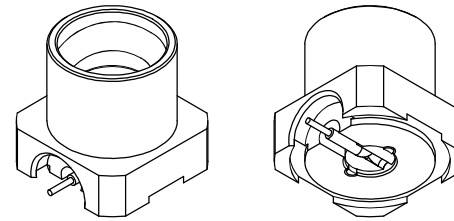
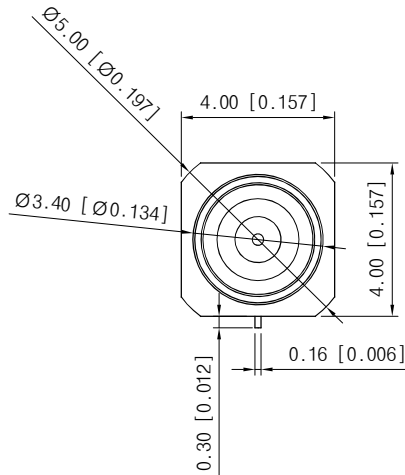
- 1) Impedance : 50Ω
- 2) Frequency range : DC to 65GHz
- 3) VSWR(RL, Typical) : 1.43:1 (-15dB) to 40GHz
1.93:1 (-10dB) to 67GHz

3. Mechanical

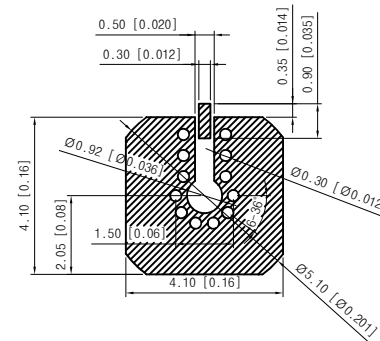
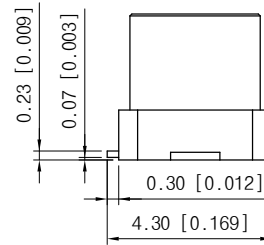
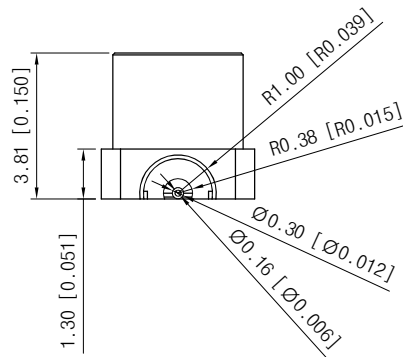
- 1) Durability : 100 Cycles (min.)

4. Environmental

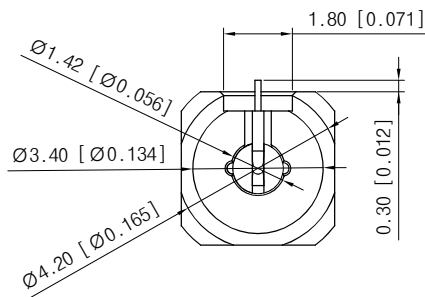
- 1) Temp. Range : -40°C to +125°C
- 2) RoHS Compliant




<3D Features>



<PCB Land Pattern>



THE INFORMATION HEREON/HEREIN IS PROPRIETARY TO WITH-WAVE CO., LTD. IT SHALL NOT BE COUPIED, DISCLOSED OR USED(PARTIALLY OR WHOLLY) IN ANY MANNER WITHOUT PRIOR EXPRESSED WRITTEN AUTHORIZATION OF WITH-WAVE CO., LTD.

Tolerance	Dimension	Range	Angle	Date	2019. 09. 02	Title	65G SMPM Plug for PCB Mount(Full Detent)
	0	±0.1	±2.0°	Approved	..	Part No.	ST17MS002
	0.X	±0.05	±1.0°	Checked	.		
0.XX	±0.03		Drawn	Ryan K	Rev.		
Scale		Unit	mm/inch				