

<Specification>

1. Material
- 1) Body : Brass (Au Pated)
 - 2) Center Conductor : BeCu (Au Plated)
 - 3) Insulator : PTFE

2. Electrical
- 1) Impedance : 50Ω
 - 2) Frequency range : DC to 26.5GHz
 - 3) VSWR : 1.2 : 1 (18GHz)
1.3 : 1 (26.5GHz)

3. Mechanical
- 1) Durability : 500 Cycles

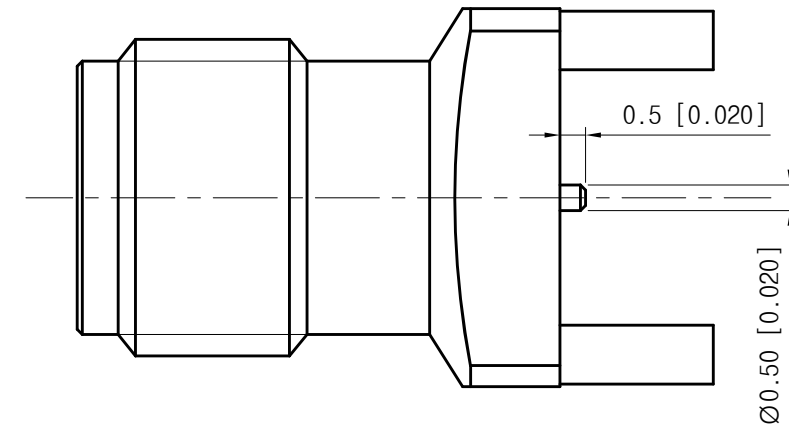
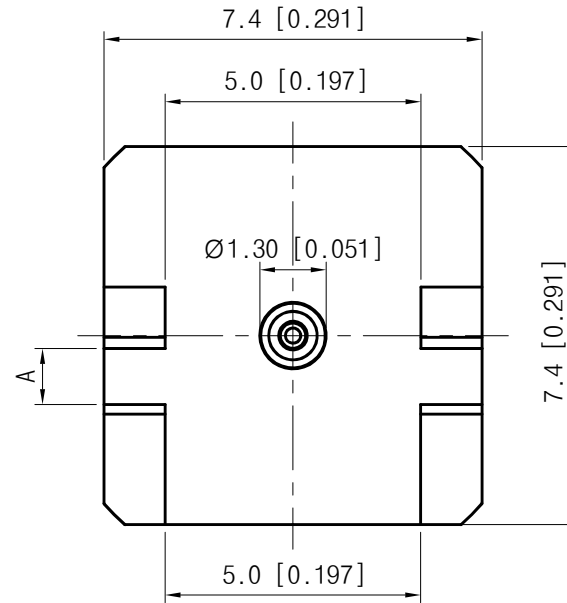
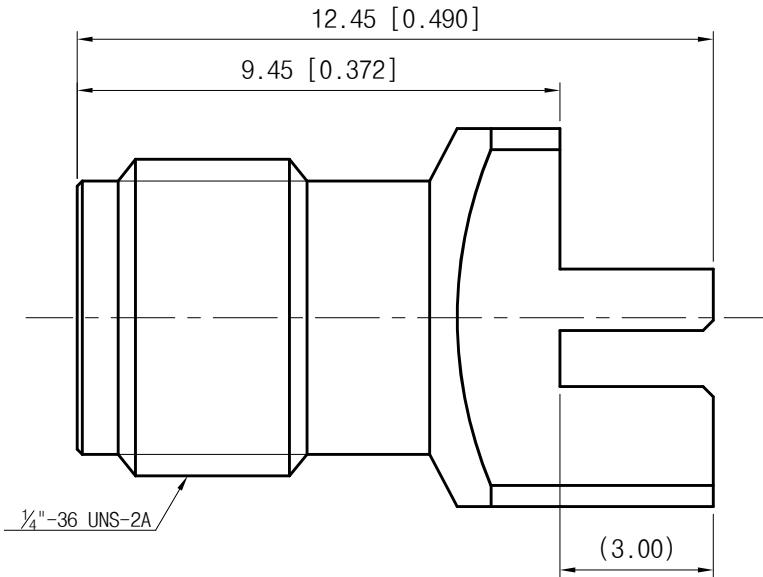
4. Environmental
- 1) Temp. Range : -40°C to +125°C
 - 2) RoHS Compliant

5. Series
- 1) A : 0.6mm[0.024], 0.8mm[0.031], 1.0mm[0.039],
1.1mm[0.043], 1.2mm[0.047], 1.5mm[0.059],
1.6mm[0.063], 1.7mm[0.067], 2.1mm[0.083],
2.3mm[0.091]

2) Part No.

- 0.6mm[0.024] : SM06FS030
- 0.8mm[0.031] : SM06FS031
- 1.0mm[0.039] : SM06FS032
- 1.1mm[0.043] : SM06FS033
- 1.2mm[0.047] : SM06FS034
- 1.5mm[0.059] : SM06FS035
- 1.6mm[0.063] : SM06FS036
- 1.7mm[0.067] : SM06FS037
- 2.1mm[0.083] : SM06FS038
- 2.3mm[0.091] : SM06FS039

3) unit : mm[inch]



Tolerance	Dimension	Range	Angle	Date	2025. 06. 01	Title	SMA(F) Board Edge Connector	
	0	±0.1	±2.0°	Approved	.		Solder Flow type	
	0.X	±0.05	±1.0°	Checked	.	Part No.	SM06FS030 ~ 039	
0.XX	±0.03			Drawn	Teri K			Rev. A
Scale		Unit	mm					

THE INFORMATION HEREON/HEREIN IS PROPRIETARY TO WITH-WAVE CO., LTD. IT SHALL NOT BE COUPIED, DISCLOSED OR USED(PARTIALLY OR WHOLLY) IN ANY MANNER WITHOUT PRIOR EXPRESSED WRITTEN AUTHORIZATION OF WITH-WAVE CO., LTD.