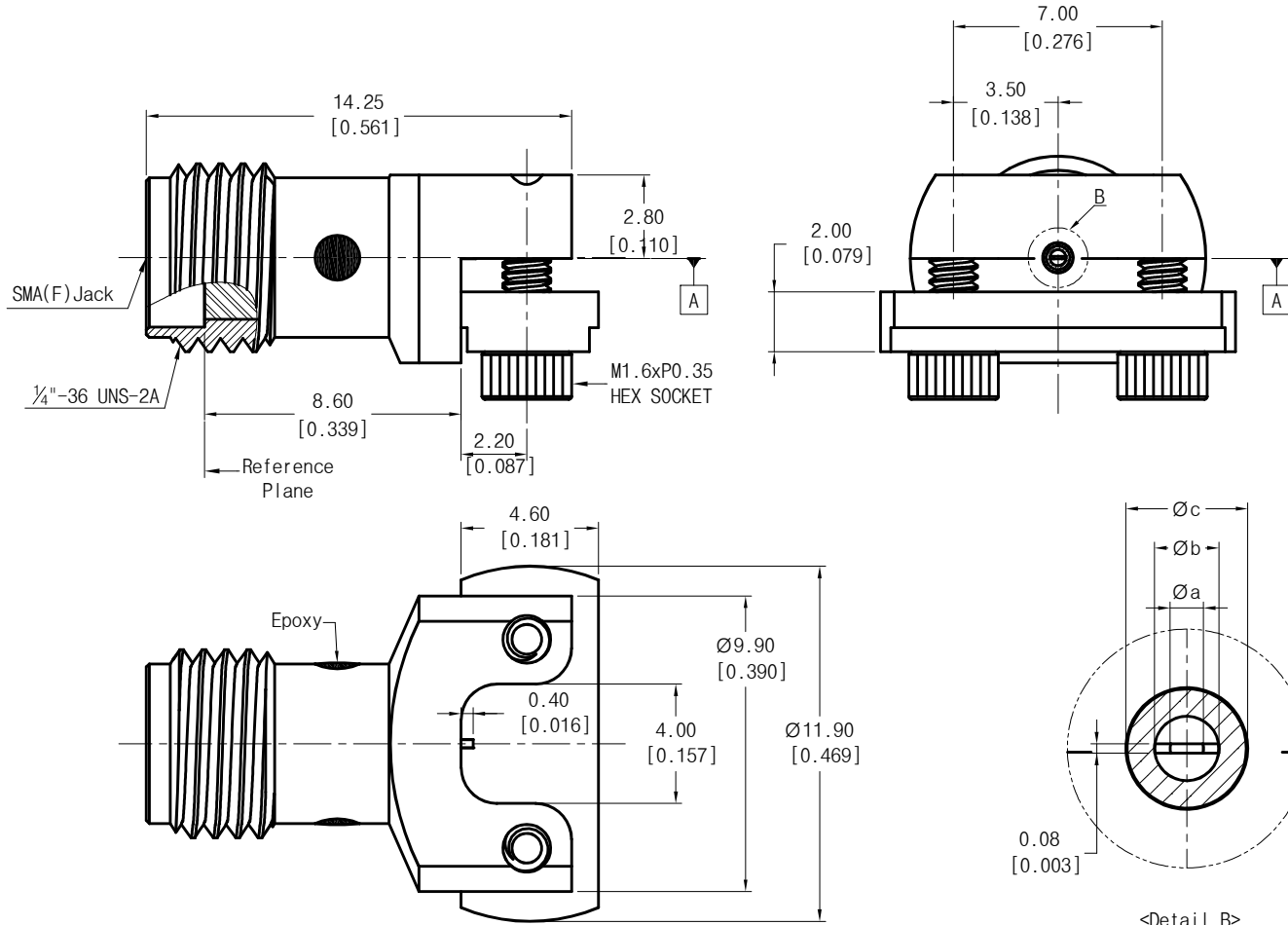
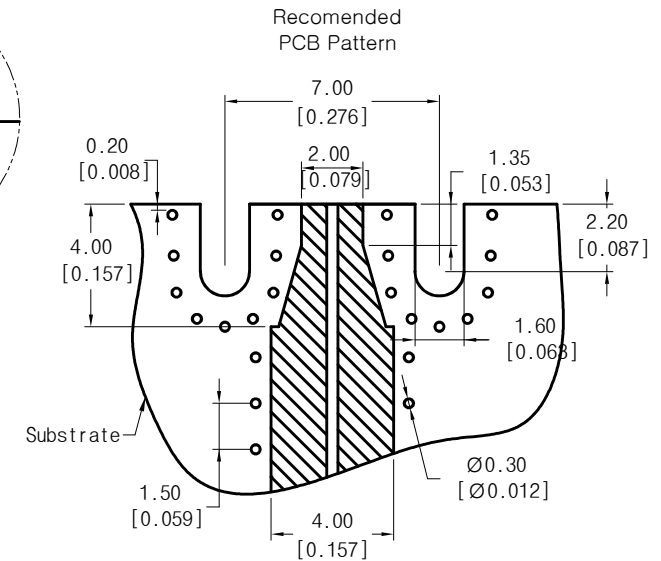


# <Specification>



- Material
  - 1) Body : Stainless Steel (Passivated)
  - 2) Center Conductor : BeCu (Au Plated)
  - 3) Insulator : PTFE
  - 4) HEX Socket Wrench Bolt : Stainless Steel (Passivated)
- Electrical
  - 1) Impedance : 50Ω
  - 2) Frequency range : DC to 26.5GHz
  - 3) VSWR(dB) : 1.5 : 1(-13.97dB)
- Mechanical
  - 1) Durability : 500 Cycles
- Environmental
  - 1) Temp. Range : -40°C to +125°C
  - 2) RoHS Compliant



SMA(26.5GHz)

Type	PCB		Pin Diameter		Dielectric Dia.	Part No.
	Substrate Thick.	Pattern Width	Øa	Øb	Øc	
	mil		mm			
RO4003C	8.0	0.436	0.28	0.42	0.82	SM06FS001
	12.0	0.677	0.40	0.64	1.14	SM06FS002
RO4350B	10.0	0.545	0.28	0.54	1.00	SM06FS003
Du5880	5.0	0.366	0.28	0.34	0.70	SM06FS004
	10.0	0.765	0.40	0.72	1.24	SM06FS005

THE INFORMATION HEREON/HEREIN IS PROPRIETARY TO WITH-WAVE CO., LTD. IT SHALL NOT BE COUPIED, DISCLOSED OR USED(PARTIALLY OR WHOLLY) IN ANY MANNER WITHOUT PRIOR EXPRESSED WRITTEN AUTHORIZATION OF WITH-WAVE CO., LTD.

Tolerance	Dimension	Range	Angle	Date	2015. 10. 14	Title	SMA Female WaveLaunch EdgeMount Connector
	0	±0.1	±2.0°	Approved		Part No.	SM06FS001 ~ 005
	0.X	±0.05	±1.0°	Checked			
	0.XX	±0.03		Drawn	Teri K		
Scale		Unit	mm				

**withwave**

Rev.