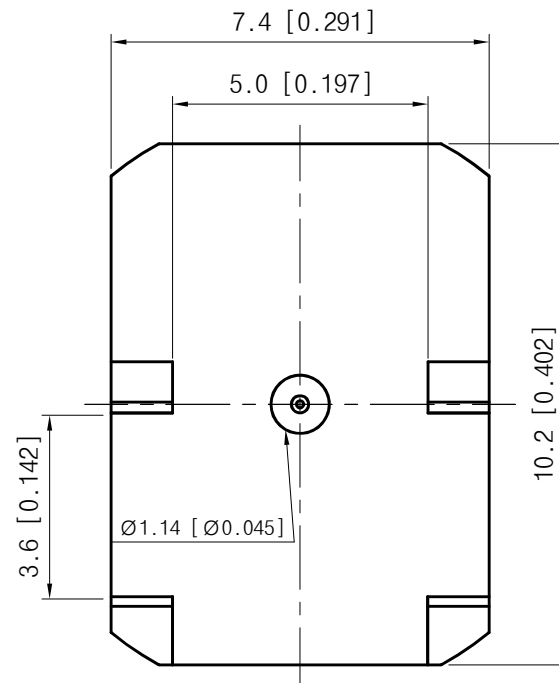
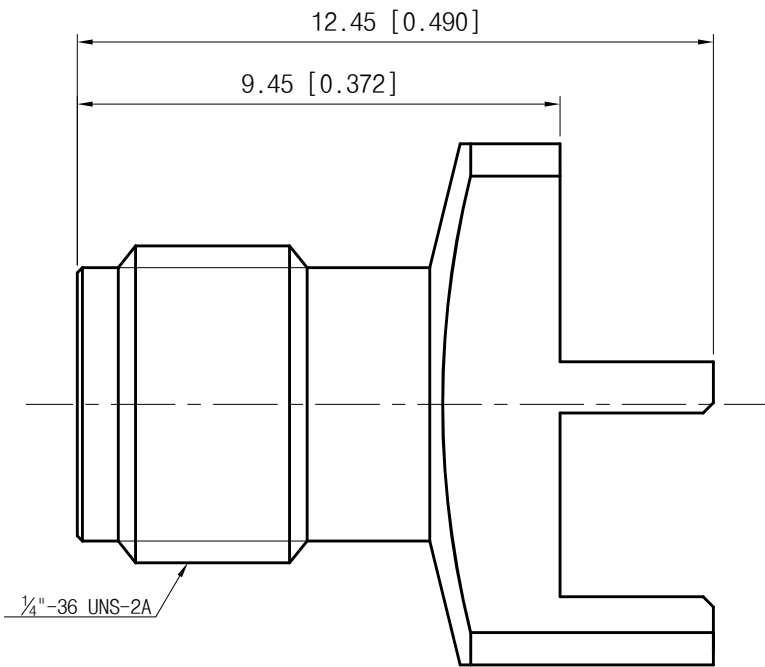
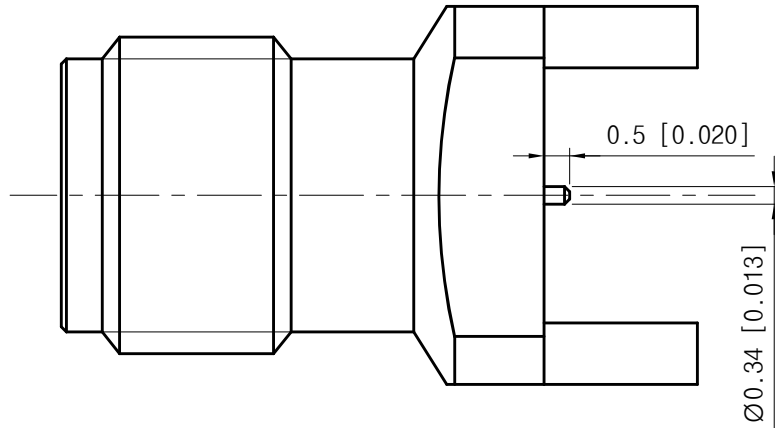


# <Specification>

1. Material
  - 1) Body : Brass (Au Pated)
  - 2) Center Conductor : BeCu (Au Plated)
  - 3) Insulator : Ultem1000, PTFE
2. Elerctrical
  - 1) Impeadance : 50Ω
  - 2) Frequency range : DC to 40GHz
  - 3) VSWR : 1.2: 1(30GHz)  
1.4: 1(40GHz)
3. Mechanical
  - 1) Durability : 500 Cycles
4. Environmental
  - 1) Temp. Range : -40℃ to +125℃
  - 2) RoHS Compliacnt
  - 3) unit : mm[inch]



Tolerance	Dimension	Range	Angle	Date	2018. 03. 16	Title	K(F) Board Edge 3.6t Connector
	0	±0.1	±2.0°	Approved	BWSong	Part No.	SM03FS017
	0.X	±0.05	±1.0°	Checked	..		
	0.XX	±0.03		Drawn	Teri K		Rev. -
Scale		Unit	mm				

THE INFORMATION HEREON/HEREIN IS PROPRIETARY TO WITH-WAVE CO., LTD. IT SHALL NOT BE COUPIED, DISCLOSED OR USED(PARTIALLY OR WHOLLY) IN ANY MANNER WITHOUT PRIOR EXPRESSED WRITTEN AUTHORIZATION OF WITH-WAVE CO., LTD.