

<Specification>

1. Material
- 1) Body : Brass (Au Pated)
 - 2) Center Conductor : BeCu (Au Plated)
 - 3) Insulator : Uitem1000, PTFE

2. Electrical
- 1) Impedance : 50Ω
 - 2) Frequency range : DC to 40GHz
 - 3) VSWR : 1.2: 1(30GHz)
1.4: 1(40GHz)

3. Mechanical
- 1) Durability : 500 Cycles

4. Environmental
- 1) Temp. Range : -40°C to +125°C
 - 2) RoHS Compliant

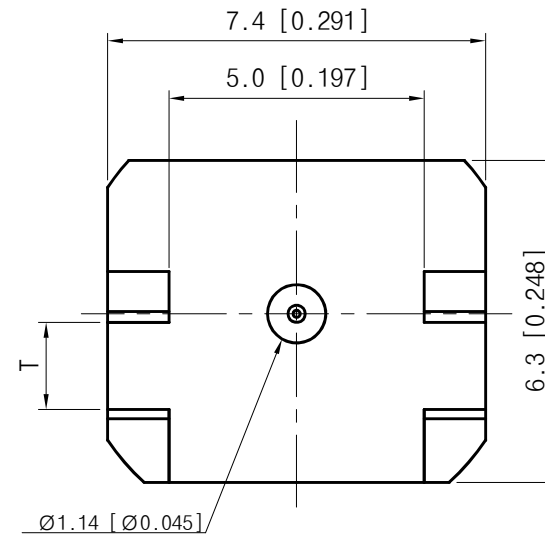
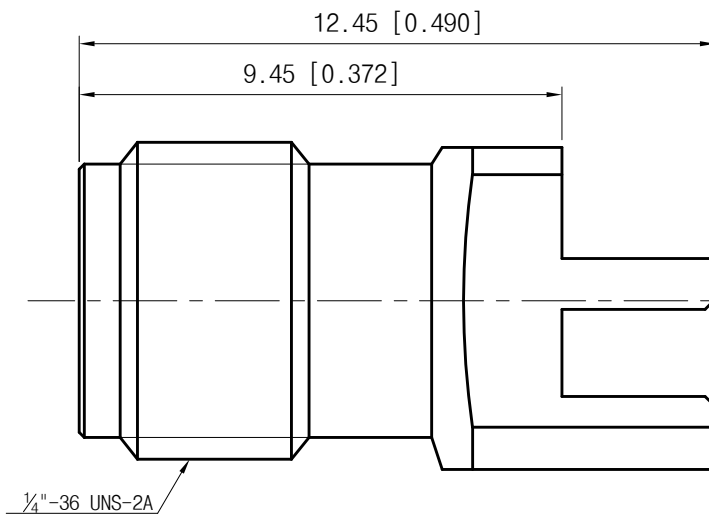
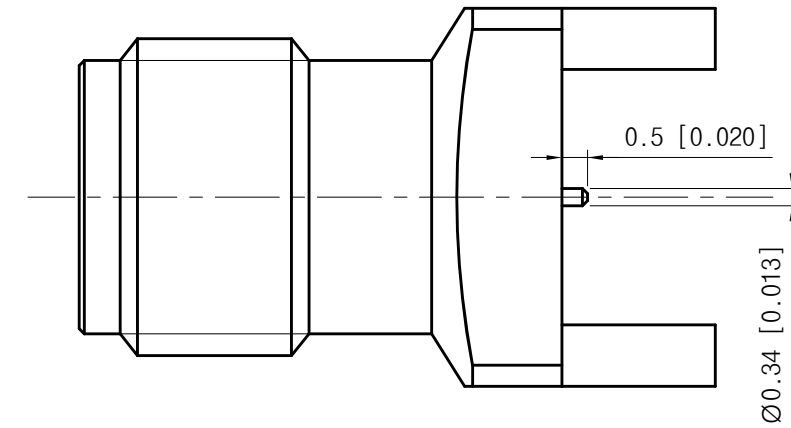
5. Series

- 1) A : 0.6mm[0.024], 0.8mm[0.031], 1.0mm[0.039],
1.1mm[0.043], 1.2mm[0.047], 1.5mm[0.059],
1.6mm[0.063], 1.7mm[0.067], 2.1mm[0.083],
2.3mm[0.091], 3.6mm[0.142]

2) Part No.

- 0.6mm[0.024] : SM03FS007
- 0.8mm[0.031] : SM03FS008
- 1.0mm[0.039] : SM03FS009
- 1.1mm[0.043] : SM03FS010
- 1.2mm[0.047] : SM03FS011
- 1.5mm[0.059] : SM03FS012
- 1.6mm[0.063] : SM03FS013
- 1.7mm[0.067] : SM03FS014
- 2.1mm[0.083] : SM03FS015
- 2.3mm[0.091] : SM03FS016

3) unit : mm[inch]



THE INFORMATION HEREON/HEREIN IS PROPRIETARY TO WITH-WAVE CO., LTD. IT SHALL NOT BE COUPIED, DISCLOSED OR USED(PARTIALLY OR WHOLLY) IN ANY MANNER WITHOUT PRIOR EXPRESSED WRITTEN AUTHORIZATION OF WITH-WAVE CO., LTD.

Tolerance	Dimension	Range	Angle	Date	2018. 03. 16	Title	K(F) Board Edge Connector
	0	±0.1	±2.0°	Approved	BWSong	Part No.	SM03FS007 ~ 016
	0.X	±0.05	±1.0°	Checked	MYLee		
0.XX	±0.03			Drawn	Teri K	Rev.	-
Scale		Unit	mm				