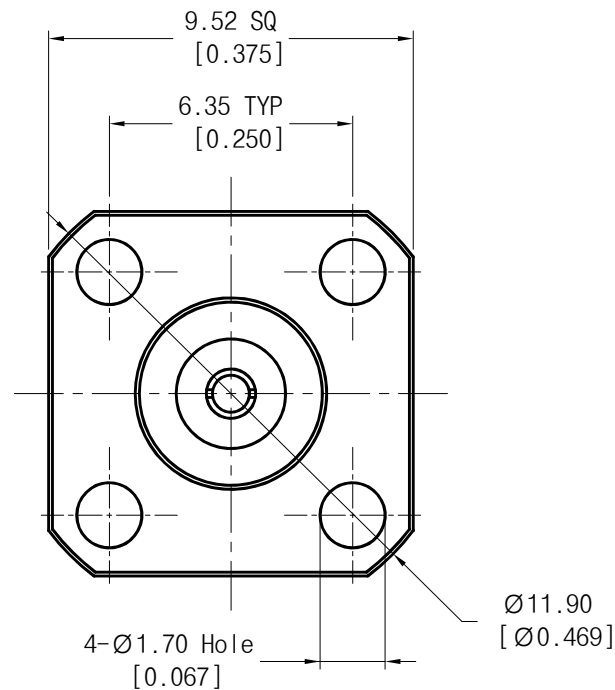
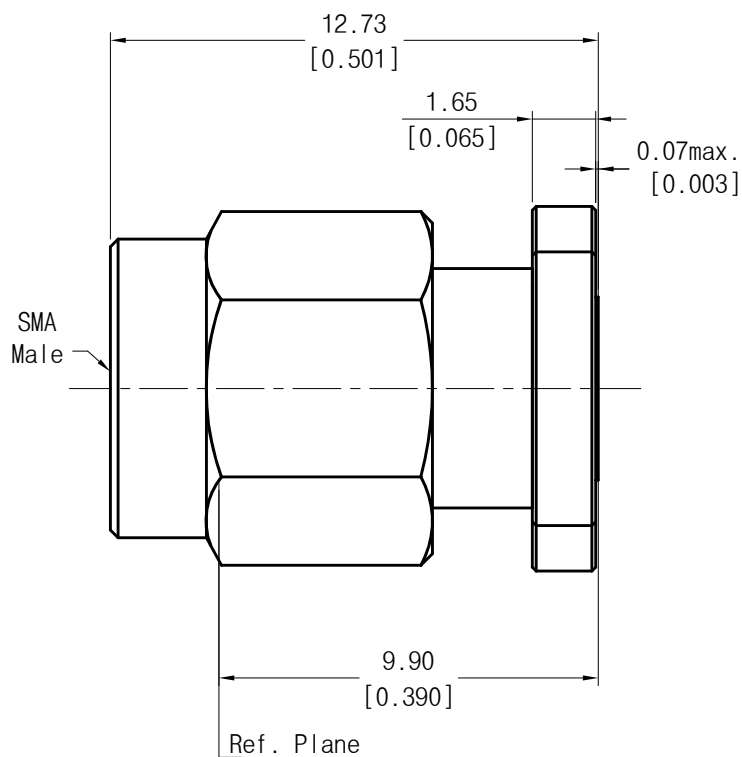


<Specification>

1. Material
  - 1) Body : Stainless Steel (Passivated)
  - 2) Center Conductor : BeCu (Au Plated)
  - 3) Insulator : PTFE
2. Electrical
  - 1) Impedance : 50Ω
  - 2) Frequency range : DC to 27GHz



Launch Pin Diameter	Max. Pin Depth
0.915mm[0.036"]	2.54mm[0.100"]

Tolerance	Dimension	Range	Angle	Date	2017. 09. 04	Title	SMA(M) Panel Mount 4Hole 0.375"SQ 0.036" Pin Accept Type Conn.
	0	±0.1	±2.0°	Approved	..	Part No.	PM06MS040
	0.X	±0.05	±1.0°	Checked	.		
	0.XX	±0.03		Drawn	Teri K		
Scale		Unit	mm				

THE INFORMATION HEREON/HEREIN IS PROPRIETARY TO WITH-WAVE CO., LTD. IT SHALL NOT BE COUPIED, DISCLOSED OR USED(PARTIALLY OR WHOLLY) IN ANY MANNER WITHOUT PRIOR EXPRESSED WRITTEN AUTHORIZATION OF WITH-WAVE CO., LTD.