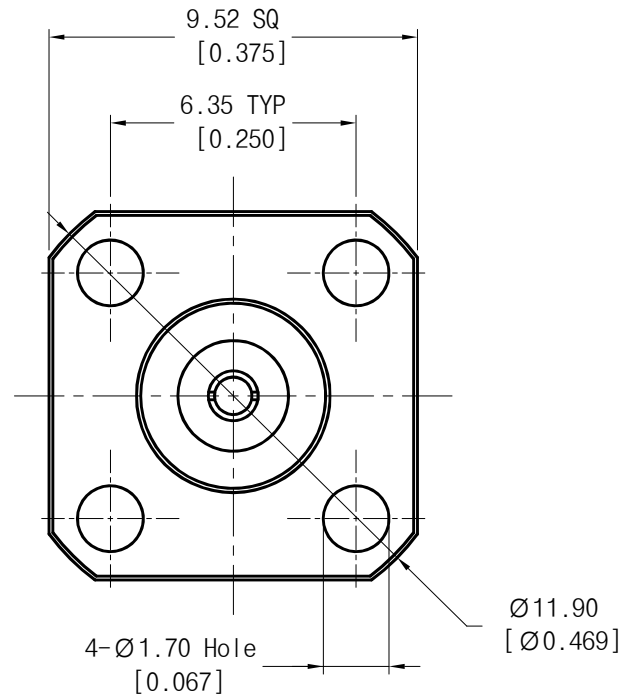
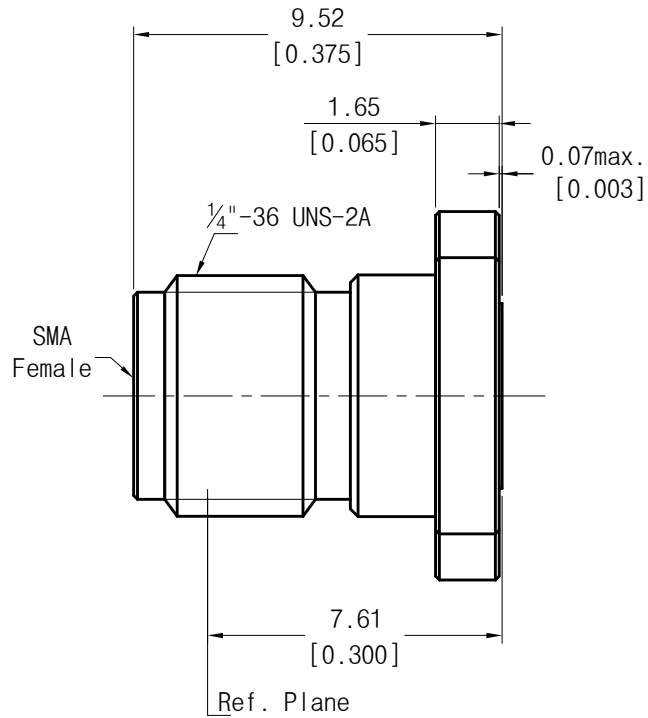


<Specification>

1. Material
 - 1) Body : Stainless Steel (Passivated)
 - 2) Center Conductor : BeCu (Au Plated)
 - 3) Insulator : PTFE
2. Electrical
 - 1) Impedance : 50Ω
 - 2) Frequency range : DC to 27GHz
 - 3) VSWR : 1.10 : 1 (DC to 18GHz)
1.15 : 1 (18 to 27GHz)
3. Equivalent model
 - 1) Southwest Microwave P/N : 212-513SF



Launch Pin Diameter	Max. Pin Depth
0.915mm [0.036"]	2.54mm [0.100"]

Tolerance	Dimension	Range	Angle	Date	2015. 12. 07	Title	SMA(F) Panel Mount 4Hole 0.375"SQ 0.036" Pin Accept Type Conn.
	0	±0.1	±2.0°	Approved	..	Part No.	PM06FS040
	0.X	±0.05	±1.0°	Checked	.		
	0.XX	±0.03		Drawn	Teri K		
Scale		Unit	mm				

withwave

Rev.