

<Specification>

1. Material

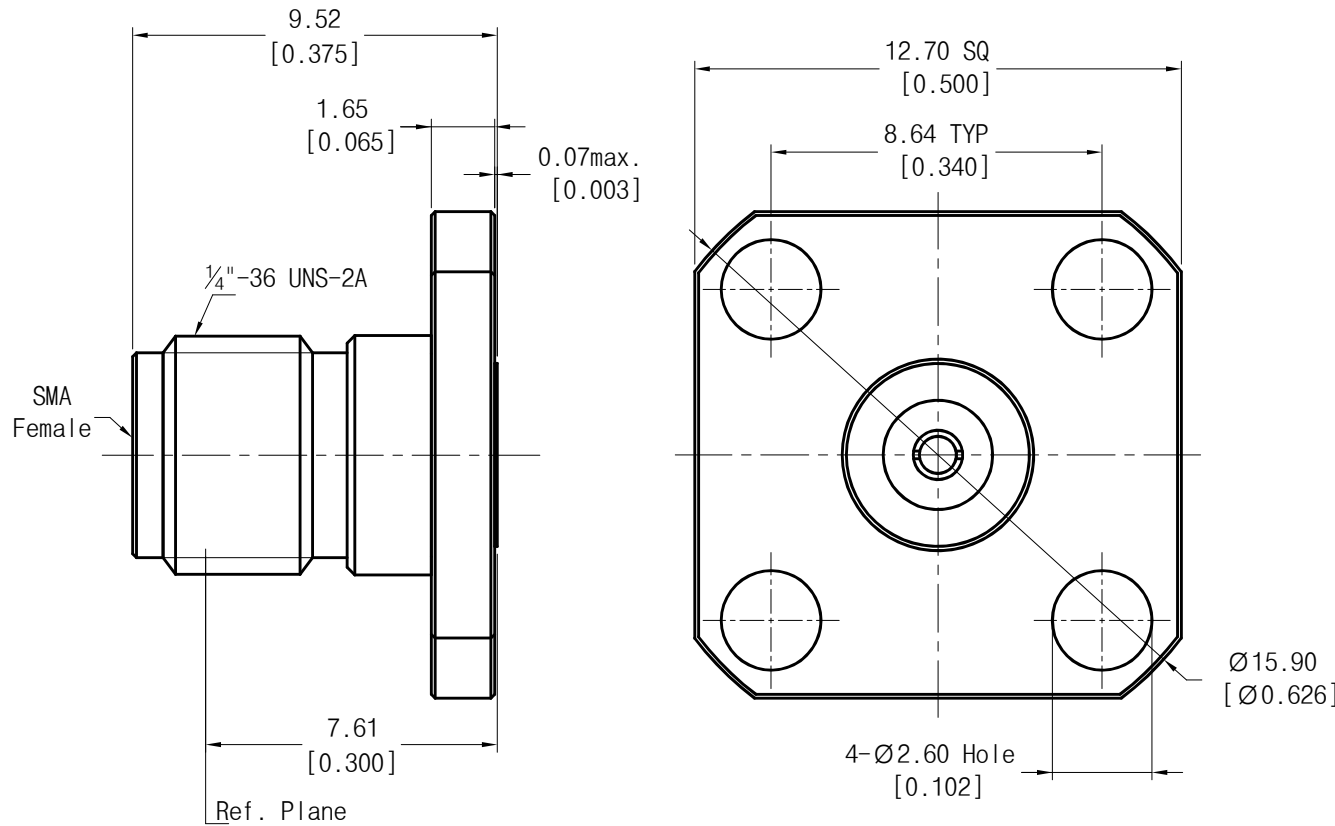
- 1) Body : Stainless Steel (Passivated)
- 2) Center Conductor : BeCu (Au Plated)
- 3) Insulator : PTFE

2. Electrical

- 1) Impedance : 50Ω
- 2) Frequency range : DC to 27GHz
- 3) VSWR : 1.10 : 1 (DC to 18GHz)
1.15 : 1 (18 to 27GHz)

3. Equivalent model

- 1) Southwest Microwave P/N : 212-503SF



Launch Pin Diameter	Max. Pin Depth
0.915mm[0.036"]	2.54mm[0.100"]

Tolerance	Dimension	Range	Angle	Date	2015. 12. 07	Title	SMA(F) Panel Mount 4Hole 0.500"SQ 0.036" Pin Accept Type Conn.	
	0	±0.1	±2.0°	Approved	..		Part No.	PM06FS035
	0.X	±0.05	±1.0°	Checked	.			Rev.
0.XX	±0.03		Drawn	Teri K				
Scale		Unit	mm					

THE INFORMATION HEREON/HEREIN IS PROPRIETARY TO WITH-WAVE CO., LTD. IT SHALL NOT BE COUPIED, DISCLOSED OR USED(PARTIALLY OR WHOLLY) IN ANY MANNER WITHOUT PRIOR EXPRESSED WRITTEN AUTHORIZATION OF WITH-WAVE CO., LTD.