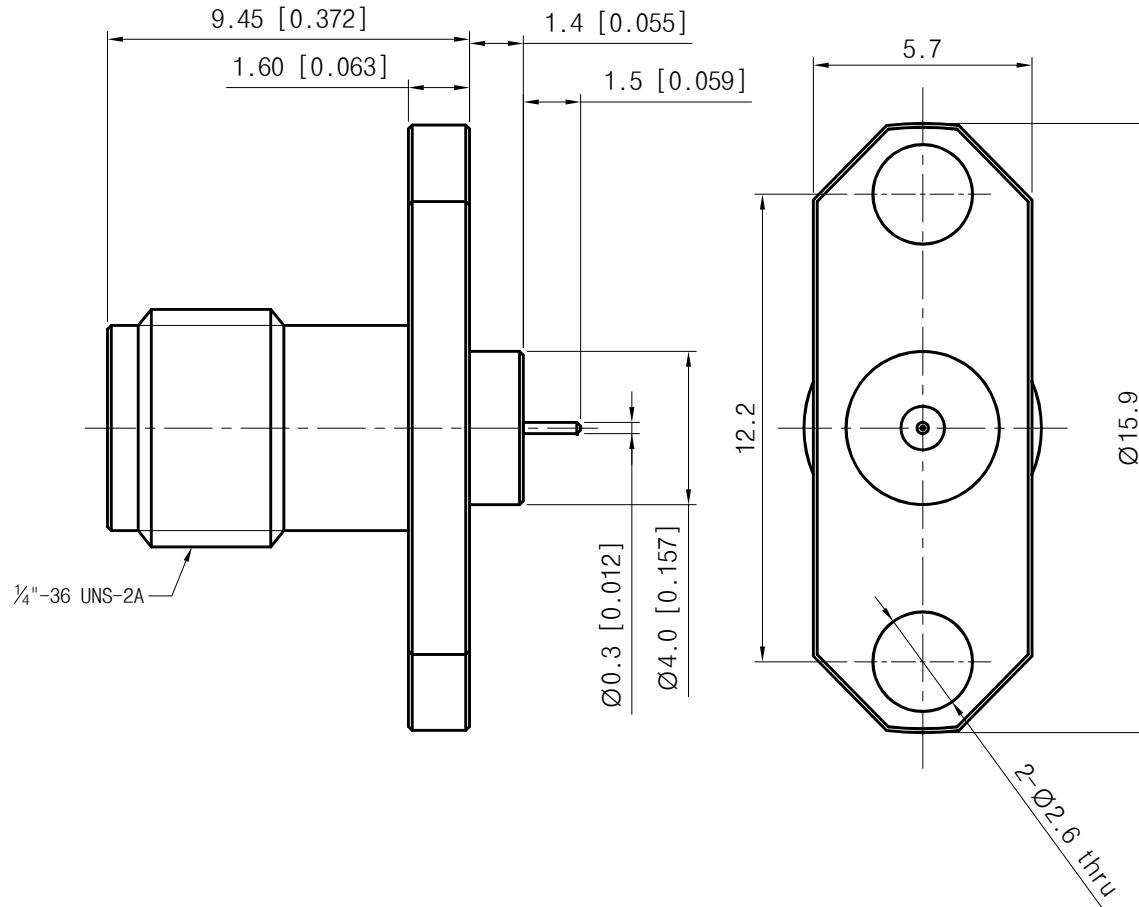


<Specification>

1. Material
 - 1) Body : Stainless Steel (Passivated)
 - 2) Center Conductor : BeCu (Au Plated)
 - 3) Insulator : PEI, PTFE
2. Electrical
 - 1) Impedance : 50Ω
 - 2) Frequency range : DC to 40GHz
3. RoHS Free



Tolerance	Dimension	Range	Angle	Date	2023. 09. 15	Title	2.92mm(F) Panel Mount 2Hole type, Ø15.9
	0	±0.1	±2.0°	Approved	..	Part No.	PM03FS065
	0.X	±0.05	±1.0°	Checked	.		
	0.XX	±0.03		Drawn	Teri K		
Scale	Unit	mm	withwave		Rev.	-	

THE INFORMATION HEREON/HEREIN IS PROPRIETARY TO WITH-WAVE CO., LTD. IT SHALL NOT BE COUPIED, DISCLOSED OR USED(PARTIALLY OR WHOLLY) IN ANY MANNER WITHOUT PRIOR EXPRESSED WRITTEN AUTHORIZATION OF WITH-WAVE CO., LTD.

withwave