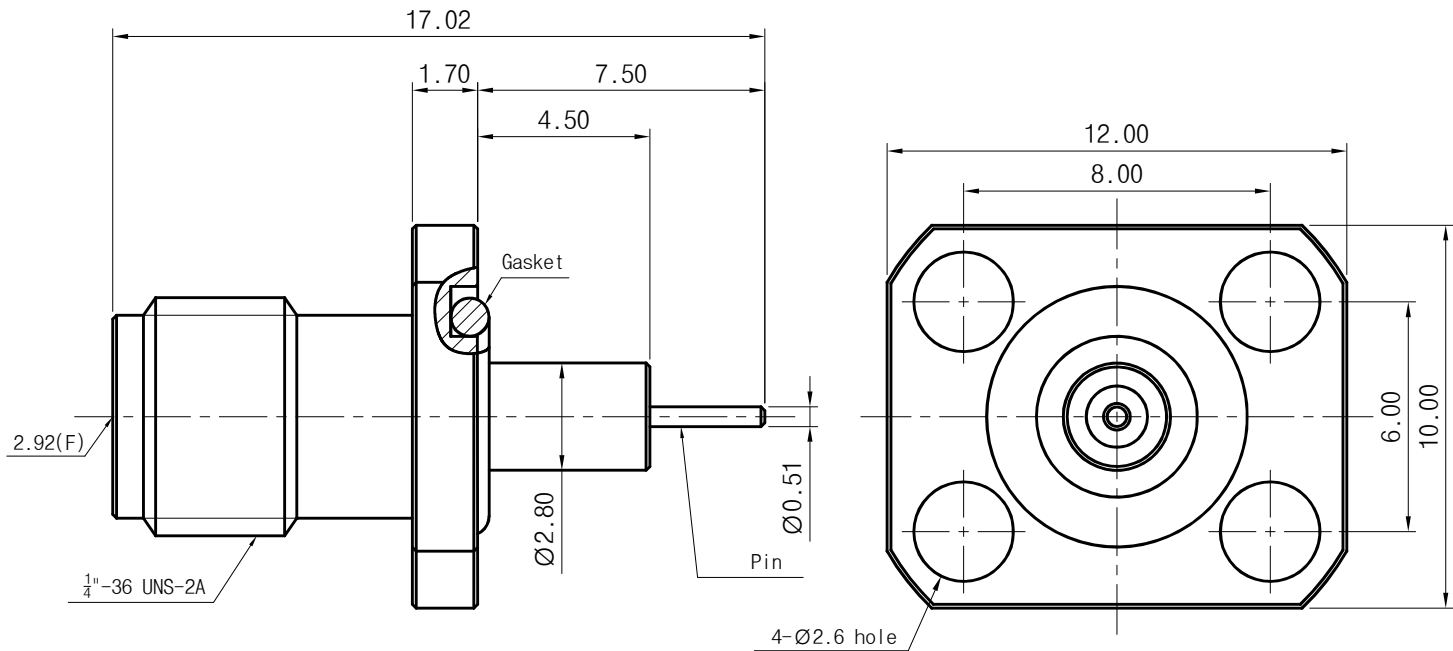
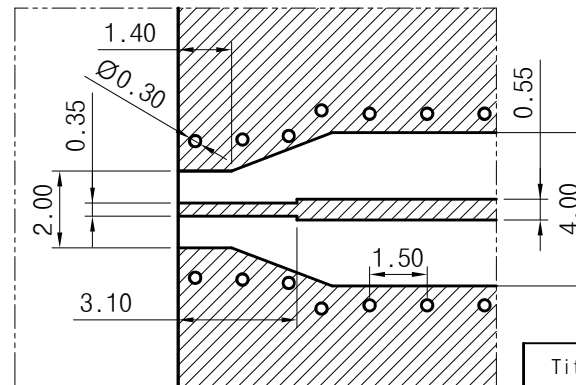


<Specification>

1. Material
  - 1) Body : Brass(Sn+Ni Plated)
  - 2) Pin : BeCu(Au Plated)
  - 3) Insulator : Ultem1000
  - 4) Gasket : Silicon Rubber(Red)
2. Electrical
  - 1) Impedance : 50Ω
  - 2) Frequency range : DC to 40GHz
  - 3) VSWR : 1.3:1
  - 4) Dielectric Withstanding Voltage : 500Vrms max.  
 Assembly to be 100% tested for Opens, Shorts & Hipot tseted(AC or DC).  
 The Hipot voltage for the assembly should be set to the end option with the lowest test voltage rating.
3. Mechanical
  - 1) Durability : 500 Cycles
4. Environmental
  - 1) Temp. Range : -40°C to +125°C
  - 2) Salt Spray 720hrs
  - 3) RoHS Compliant



Recommended PCB Pattern



\* PCB : R04350B 10mil

Title	Panel Mount 2.92mm(F) Connector, Pin 3mm
Part No.	PM03FS062

THE INFORMATION HEREON/HEREIN IS PROPRIETARY TO WITH-WAVE CO., LTD. IT SHALL NOT BE COUPIED, DISCLOSED OR USED(PARTIALLY OR WHOLLY) IN ANY MANNER WITHOUT PRIOR EXPRESSED WRITTEN AUTHORIZATION OF WITH-WAVE CO., LTD.

Scale	N/A	Date	2022. 04. 29
Unit	mm[inch]	Drawn	Teri K

<b>withwave</b>	Rev.	-
-----------------	------	---