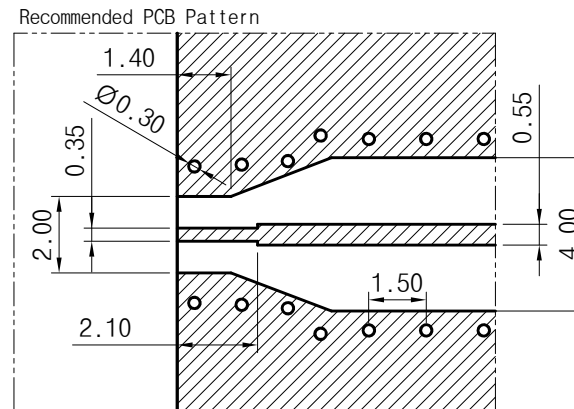
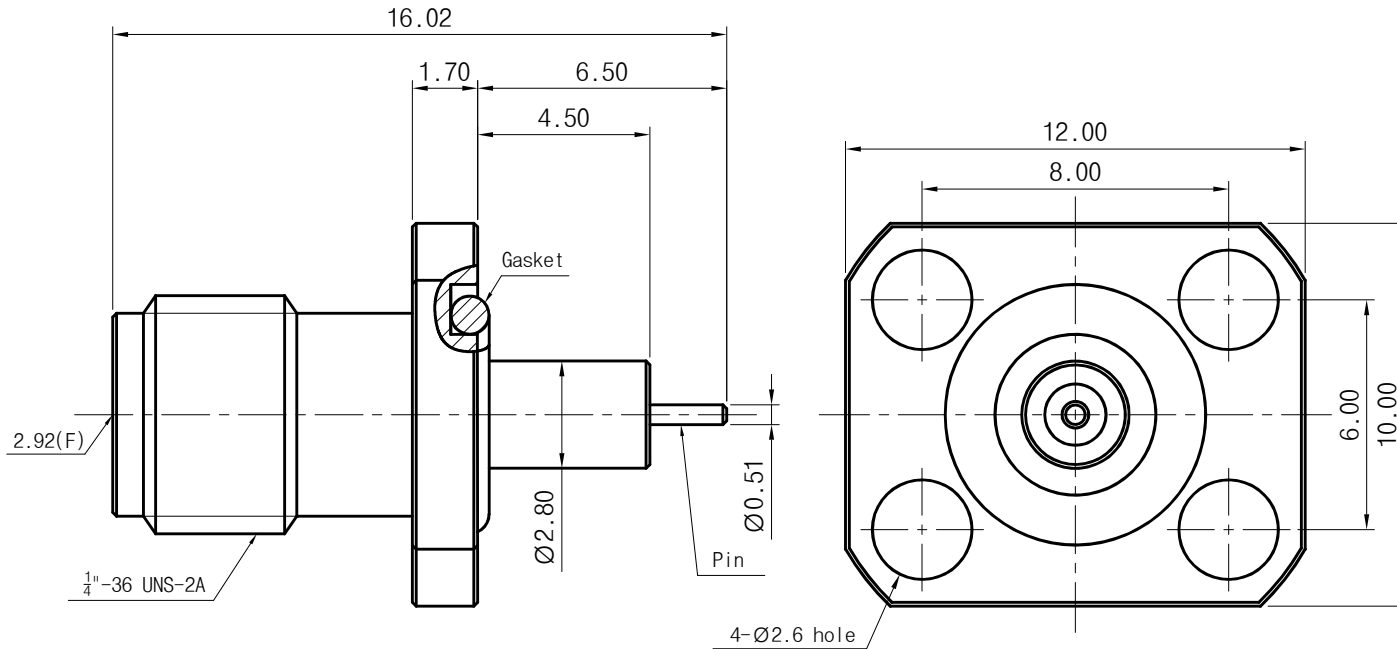


<Specification>

1. Material
 - 1) Body : Brass(Sn+Ni Plated)
 - 2) Pin : BeCu(Au Plated)
 - 3) Insulator : Ultem1000
 - 4) Gasket : Silicon Rubber(Red)
2. Electrical
 - 1) Impedance : 50Ω
 - 2) Frequency range : DC to 40GHz
 - 3) VSWR : 1.3:1
 - 4) Dielectric Withstanding Voltage : 500Vrms max.
 Assembly to be 100% tested for Opens, Shorts & Hipot tested(AC or DC).
 The Hipot voltage for the assembly should be set to the end option with the lowest test voltage rating.
3. Mechanical
 - 1) Durability : 500 Cycles
4. Environmental
 - 1) Temp. Range : -40°C to +125°C
 - 2) Salt Spray 720hrs
 - 3) RoHS Compliant



* PCB : R04350B 10mil

Title	Panel Mount 2.92mm(F) Connector, Pin 2mm
Part No.	PM03FS060

THE INFORMATION HEREON/HEREIN IS PROPRIETARY TO WITH-WAVE CO., LTD. IT SHALL NOT BE COUPIED, DISCLOSED OR USED(PARTIALLY OR WHOLLY) IN ANY MANNER WITHOUT PRIOR EXPRESSED WRITTEN AUTHORIZATION OF WITH-WAVE CO., LTD.

Scale	N/A	Date	2022. 03. 15
Unit	mm[inch]	Drawn	Ter i K

withwave

Rev. -