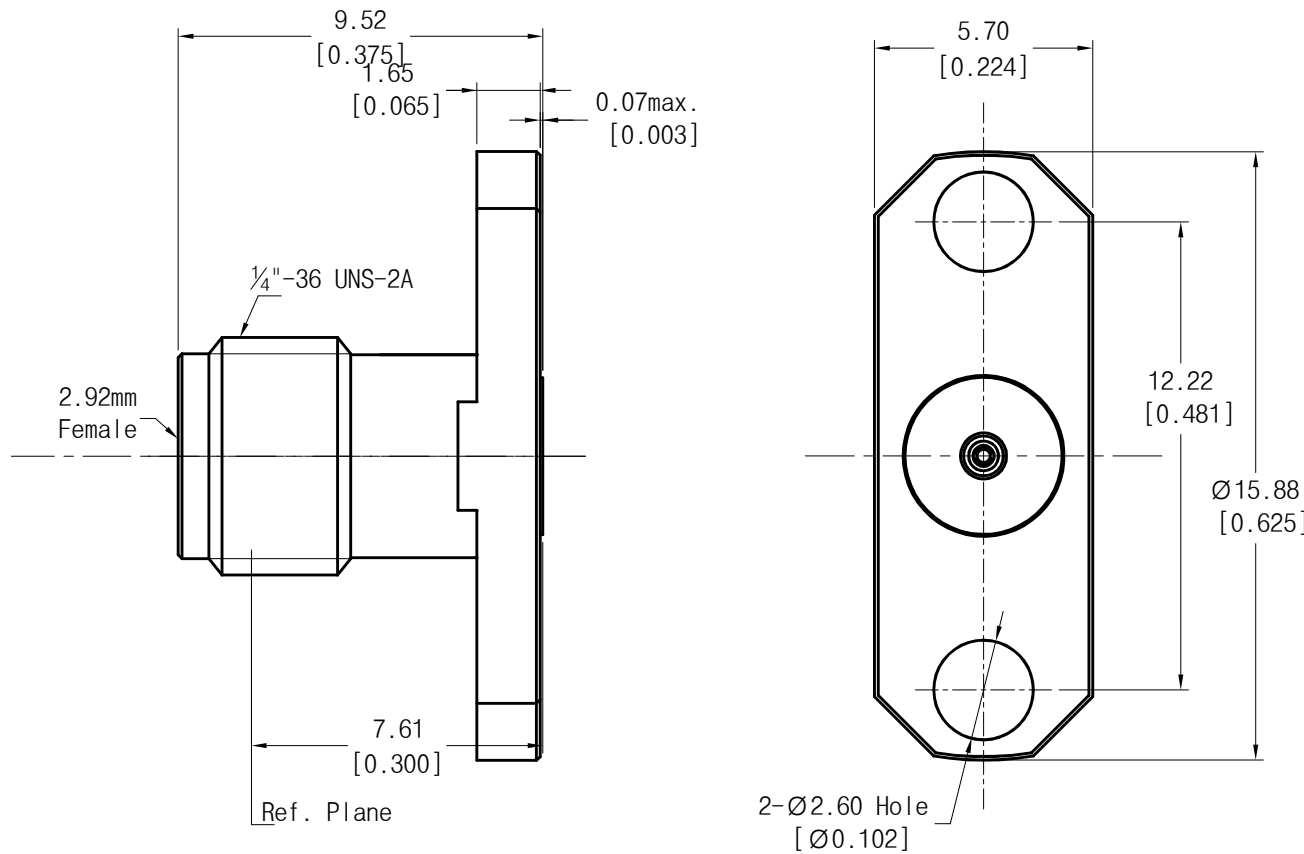



<Specification>

1. Material
 - 1) Body : Stainless Steel (Passivated)
 - 2) Center Conductor : BeCu (Au Plated)
 - 3) Insulator : PEI
2. Electrical
 - 1) Impedance : 50Ω
 - 2) Frequency range : DC to 40GHz
 - 3) VSWR : 1.15 : 1 (DC to 18GHz)
1.25 : 1 (18 to 40GHz)
3. Equivalent model
 - 1) Southwest Microwave P/N : 1014-01SF



Launch Pin Diameter	Max. Pin Depth
0.305mm [0.012"]	1.6mm [0.063"]

Tolerance	Dimension	Range	Angle	Date	2015. 12. 07	Title	2.92mm(F) Panel Mount 2Hole 0.625" 0.012" Pin Accept Type Conn.		
	0	±0.1	±2.0°	Approved	.		Part No.	PM03FS039	
	0.X	±0.05	±1.0°	Checked	.				
0.XX	±0.03		Drawn	Teri K	Rev.				
Scale	Unit	mm							

THE INFORMATION HEREON/HEREIN IS PROPRIETARY TO WITH-WAVE CO., LTD. IT SHALL NOT BE COUPIED, DISCLOSED OR USED(PARTIALLY OR WHOLLY) IN ANY MANNER WITHOUT PRIOR EXPRESSED WRITTEN AUTHORIZATION OF WITH-WAVE CO., LTD.