

<Specification>

1. Material

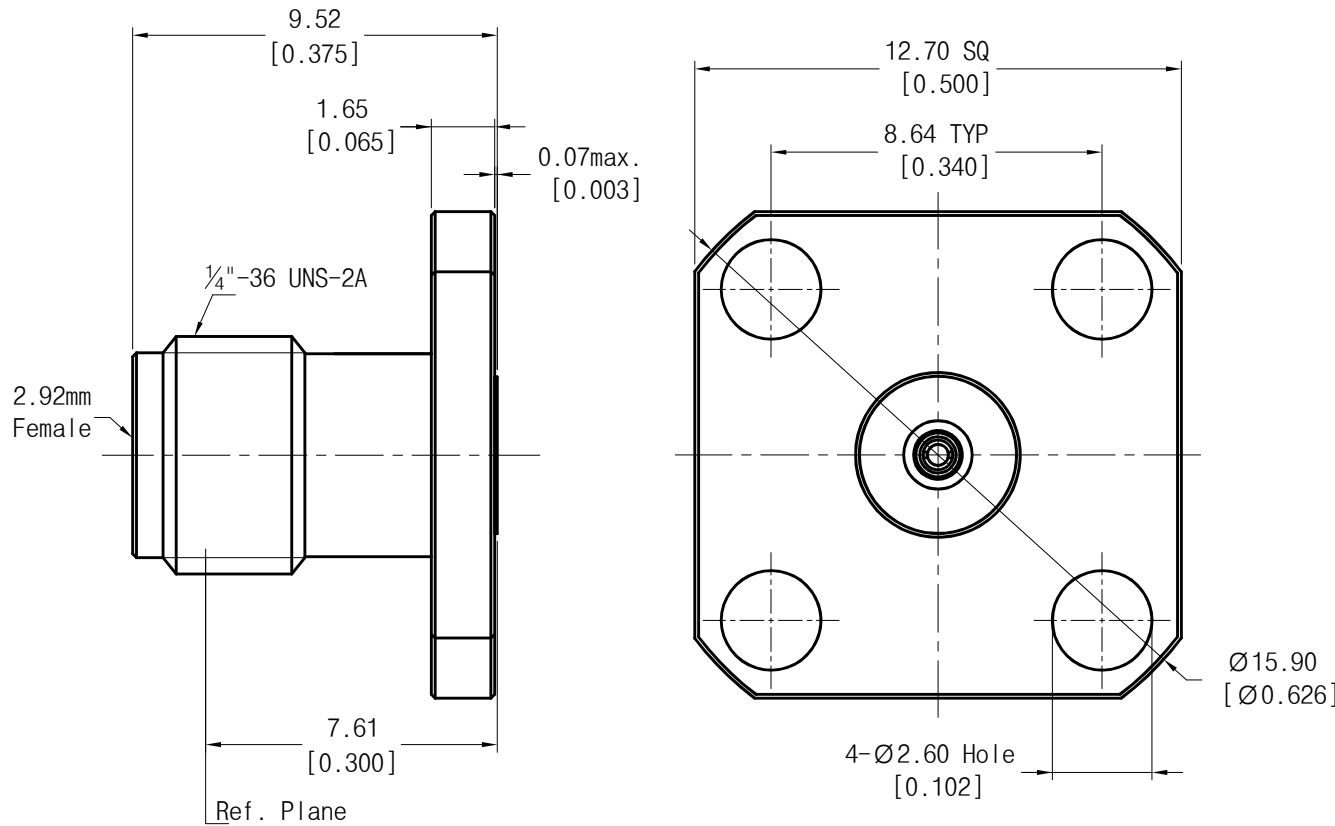
- 1) Body : Stainless Steel (Passivated)
- 2) Center Conductor : BeCu (Au Plated)
- 3) Insulator : PEI

2. Electrical

- 1) Impedance : 50Ω
- 2) Frequency range : DC to 40GHz
- 3) VSWR : 1.15 : 1 (DC to 18GHz)
1.25 : 1 (18 to 40GHz)

Equivalent model

- 1) Southwest Microwave P/N : 1012-05SF



| Launch Pin Diameter | Max. Pin Depth |
|---------------------|----------------|
| 0.503mm[0.02"] | 1.6mm[0.063"] |

| | | | | | | | |
|-----------|-----------|-------|-------|----------|--------------|----------|--|
| Tolerance | Dimension | Range | Angle | Date | 2015. 12. 07 | Title | 2.92mm(F) Panel Mount 4Hole 0.500"SQ 0.020" Pin Accept Type Conn. |
| | 0 | ±0.1 | ±2.0° | Approved | .. | | Part No. |
| | 0.X | ±0.05 | ±1.0° | Checked | . | withwave | |
| | 0.XX | ±0.03 | | | | | |
| Scale | Unit | mm | Drawn | Teri K | | | |

THE INFORMATION HEREON/HEREIN IS PROPRIETARY TO WITH-WAVE CO., LTD. IT SHALL NOT BE COUPIED, DISCLOSED OR USED(PARTIALLY OR WHOLLY) IN ANY MANNER WITHOUT PRIOR EXPRESSED WRITTEN AUTHORIZATION OF WITH-WAVE CO., LTD.