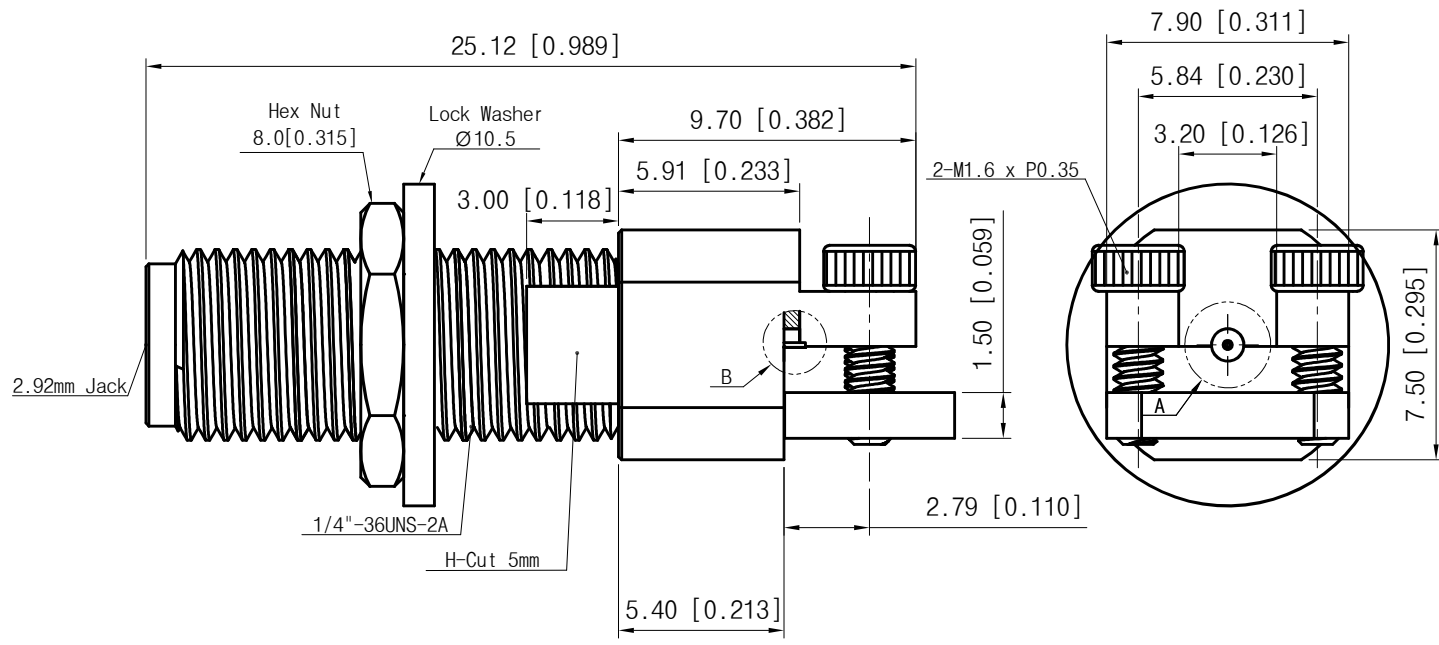
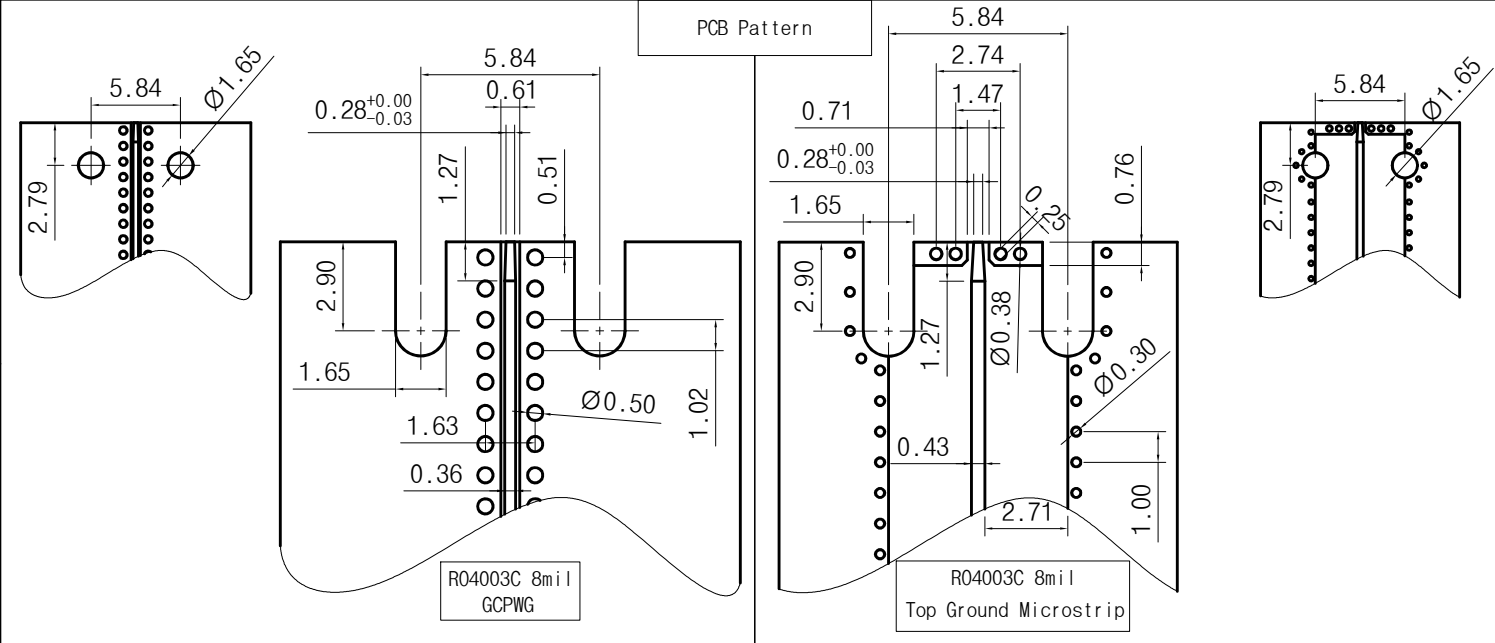
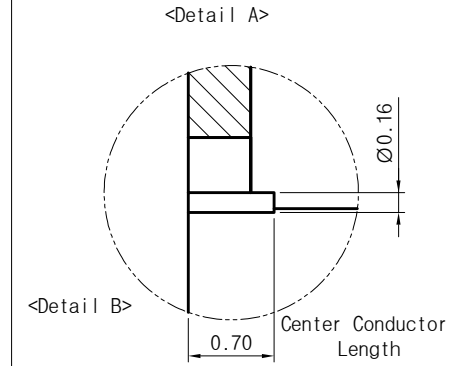
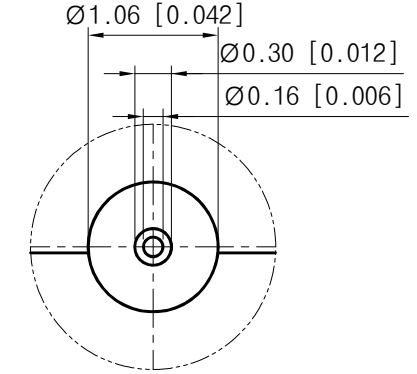


<Specification>



- Material
 - 1) Body : Stainless Steel (Passivated)
 - 2) Center Conductor : BeCu (Au Plated)
 - 3) Insulator : PEI
- Electrical
 - 1) Impedance : 50Ω
 - 2) Frequency : DC ~ 40GHz
 - 3) VSWR : 1.4:1 (-15.5dB)
- Mechanical
 - 1) Durability : 500 Cycles
- Environmental
 - 1) Temp. Range : -40°C to +125°C Δ
 - 2) RoHS Compliant



Revision			
Rev	Description	Drawn	Date
Δ	Revised Temp. Range : -65°C to +165°C -> -40°C to +125°C	DJKim	20250418
Title		2.92mm(F) End Launch Connector Narrow Block Type - Bulkhead	
Part No.		NE03FS002	

THE INFORMATION HEREON/HEREIN IS PROPRIETARY TO WITH-WAVE CO., LTD. IT SHALL NOT BE COUPIED, DISCLOSED OR USED(PARTIALLY OR WHOLLY) IN ANY MANNER WITHOUT PRIOR EXPRESSED WRITTEN AUTHORIZATION OF WITH-WAVE CO., LTD.

Scale	N/A	Date	2021. 03. 29
Unit	mm	Drawn	Teri K

withwave Rev. A