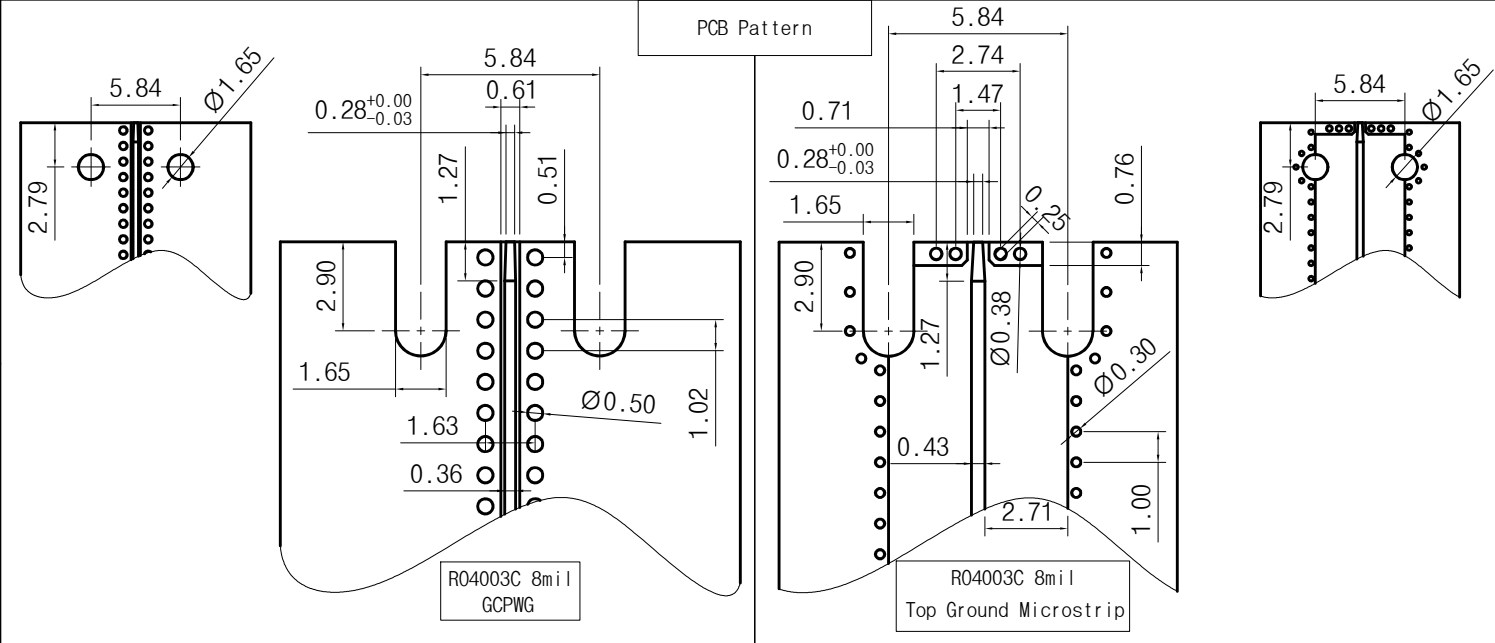
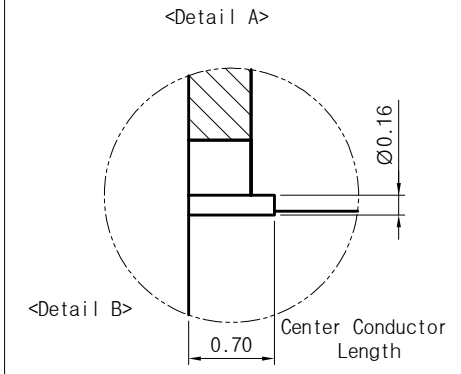
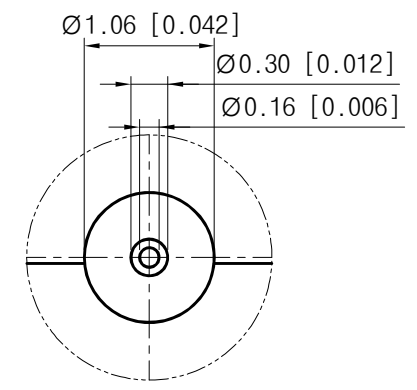
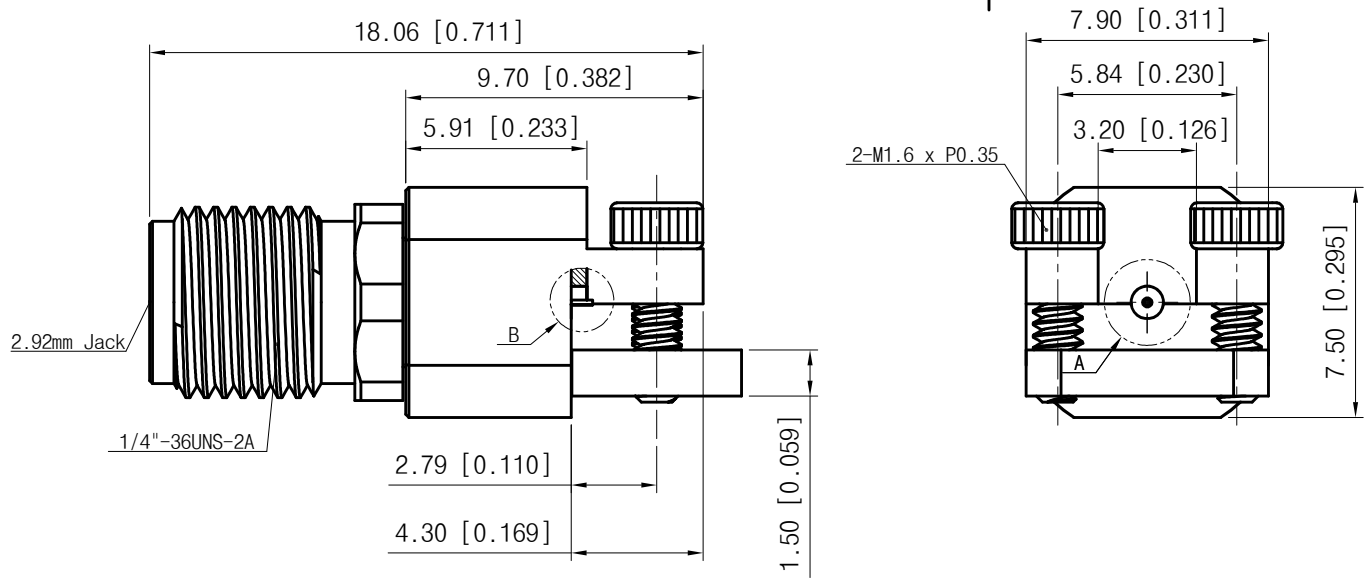


# <Specification>

- Material
  - 1) Body : Stainless Steel (Passivated)
  - 2) Center Conductor : Brass (Au Plated)
  - 3) Insulator : PEI
- Electrical
  - 1) Impedance : 50Ω
  - 2) Frequency : DC ~ 40GHz
- Mechanical
  - 1) Durability : 500 Cycles
- Environmental
  - 1) Temp. Range : -40°C to +125°C
  - 2) RoHS Compliant



Title	2.92mm(F) End Launch Connector Narrow Block Type	
Part No.	NE03FS001	

THE INFORMATION HEREON/HEREIN IS PROPRIETARY TO WITH-WAVE CO., LTD. IT SHALL NOT BE COUPIED, DISCLOSED OR USED(PARTIALLY OR WHOLLY) IN ANY MANNER WITHOUT PRIOR EXPRESSED WRITTEN AUTHORIZATION OF WITH-WAVE CO., LTD.

Scale	N/A	Date	2019. 08. 22
Unit	mm	Drawn	Ter i K



Rev.	-
------	---