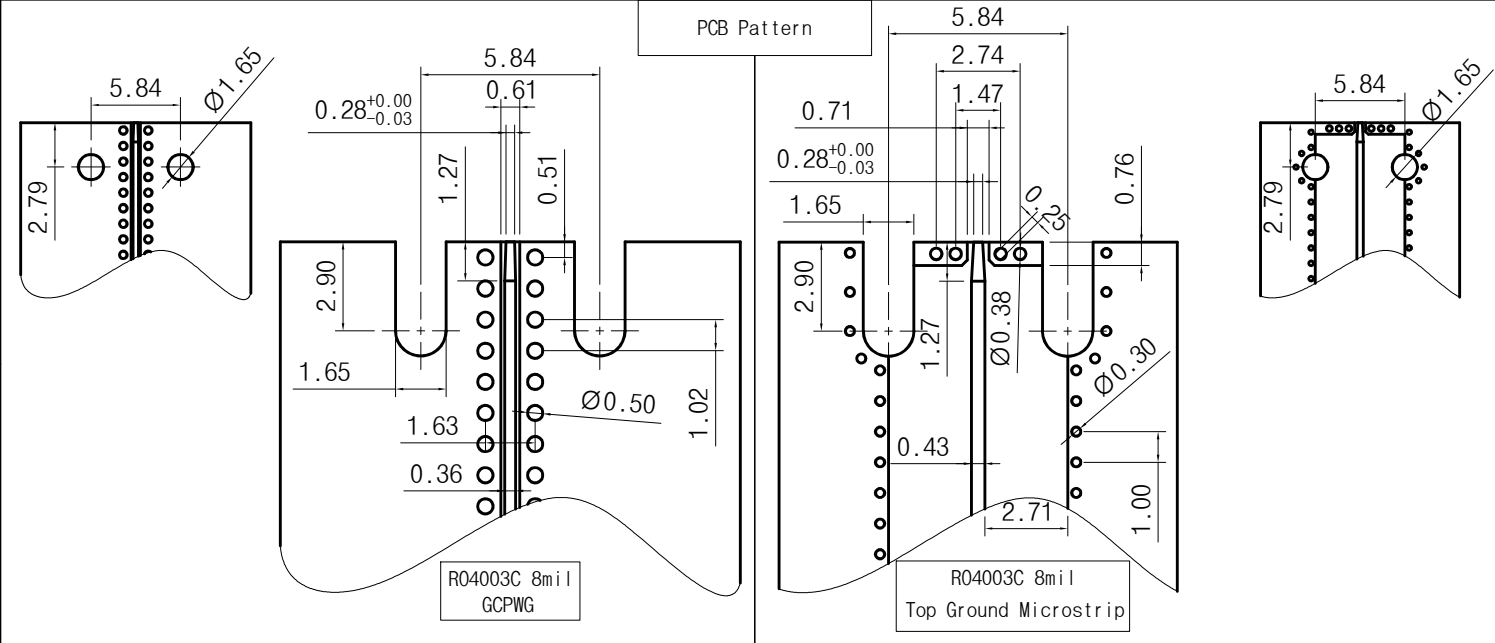
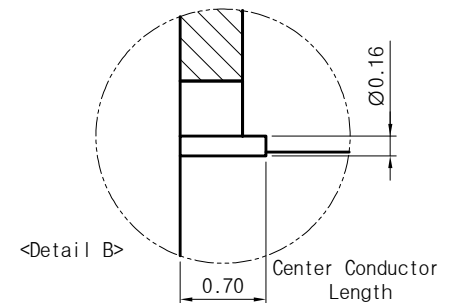
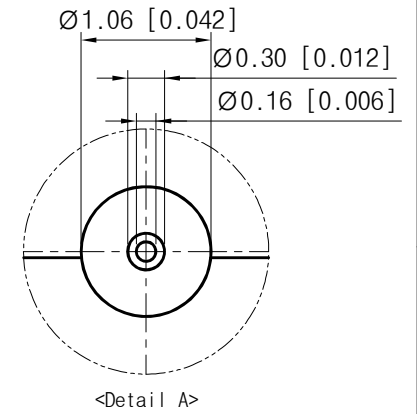
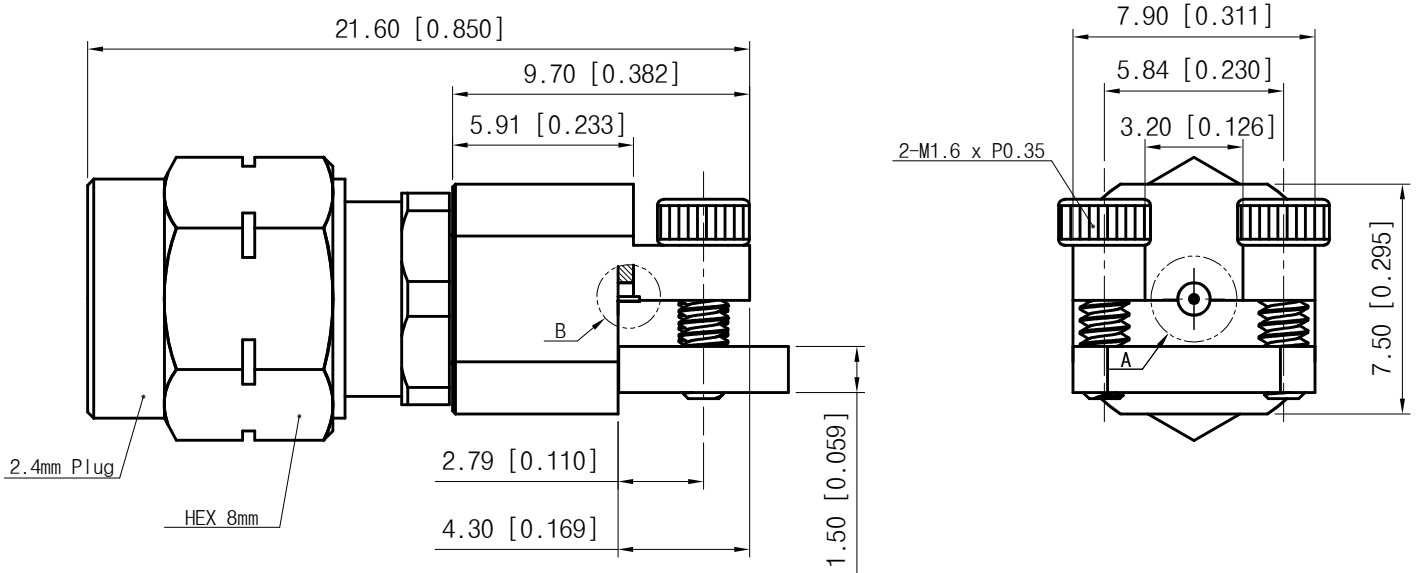


<Specification>

1. Material
 - 1) Body : Stainless Steel (Passivated)
 - 2) Center Conductor : Brass (Au Plated)
 - 3) Insulator : PEI
2. Electrical
 - 1) Impedance : 50Ω
 - 2) Frequency : DC ~ 50GHz
3. Mechanical
 - 1) Durability : 500 Cycles
4. Environmental
 - 1) Temp. Range : -40°C to +125°C
 - 2) RoHS Compliant



Title	2.4mm(M) End Launch Connector Narrow Block Type	
Part No.	NE02MS001	

THE INFORMATION HEREON/HEREIN IS PROPRIETARY TO WITH-WAVE CO., LTD. IT SHALL NOT BE COUPIED, DISCLOSED OR USED(PARTIALLY OR WHOLLY) IN ANY MANNER WITHOUT PRIOR EXPRESSED WRITTEN AUTHORIZATION OF WITH-WAVE CO., LTD.

Scale	N/A	Date	2019. 08. 22
Unit	mm	Drawn	Ter i K

withwave Rev. —