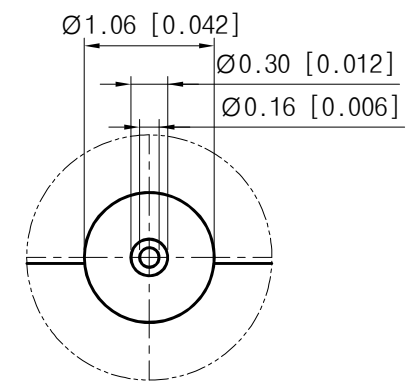
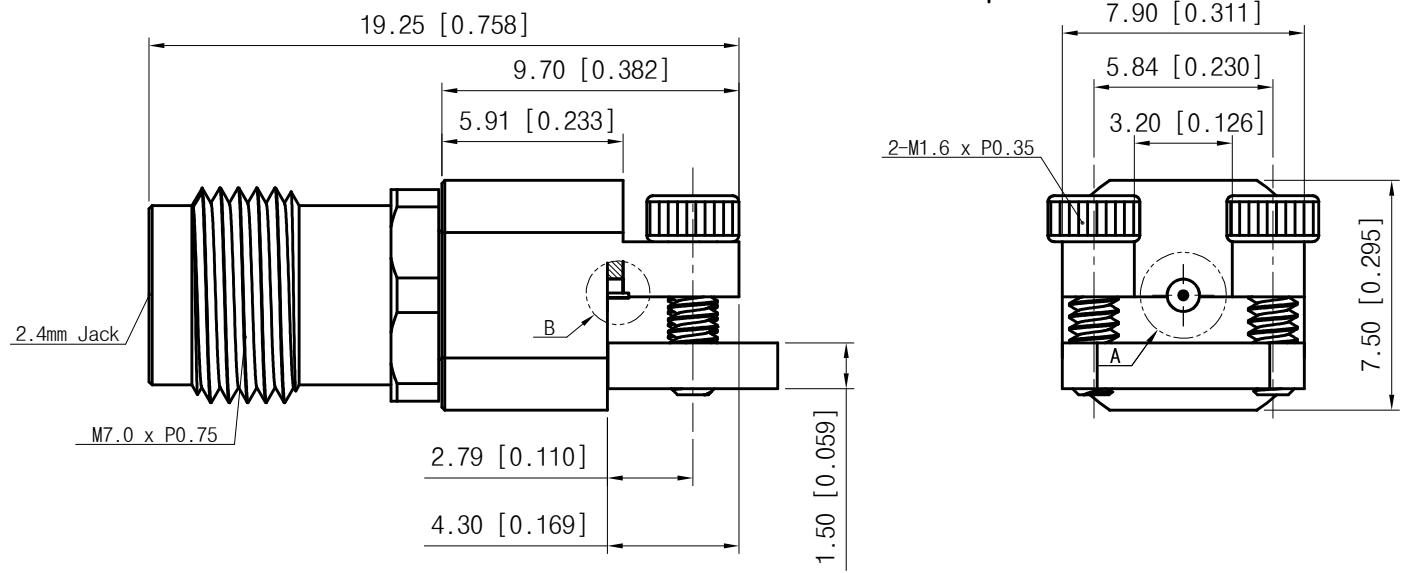
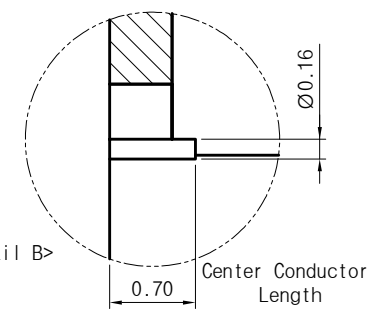


# <Specification>

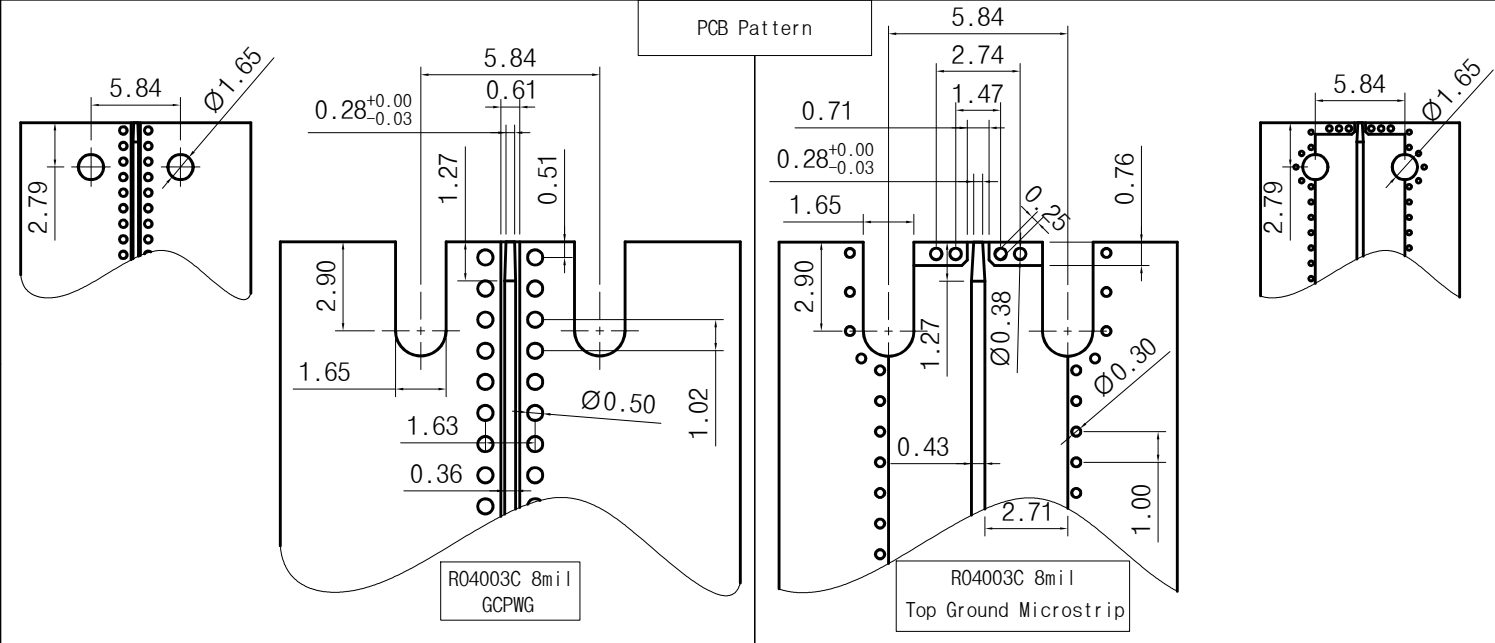
1. Material
  - 1) Body : Stainless Steel (Passivated)
  - 2) Center Conductor : Brass (Au Plated)
  - 3) Insulator : PEI
2. Electrical
  - 1) Impedance :  $50\Omega$
  - 2) Frequency : DC ~ 50GHz
3. Mechanical
  - 1) Durability : 500 Cycles
4. Environmental
  - 1) Temp. Range :  $-40^{\circ}\text{C}$  to  $+125^{\circ}\text{C}$
  - 2) RoHS Compliant



<Detail A>



<Detail B>



Title	2.4mm(F) End Launch Connector Narrow Block Type	
Part No.	NE02FS001	

THE INFORMATION HEREON/HEREIN IS PROPRIETARY TO WITH-WAVE CO., LTD. IT SHALL NOT BE COUPIED, DISCLOSED OR USED(PARTIALLY OR WHOLLY) IN ANY MANNER WITHOUT PRIOR EXPRESSED WRITTEN AUTHORIZATION OF WITH-WAVE CO., LTD.

Scale	N/A	Date	2019. 08. 22
Unit	mm	Drawn	Ter i K

**withwave** Rev. -