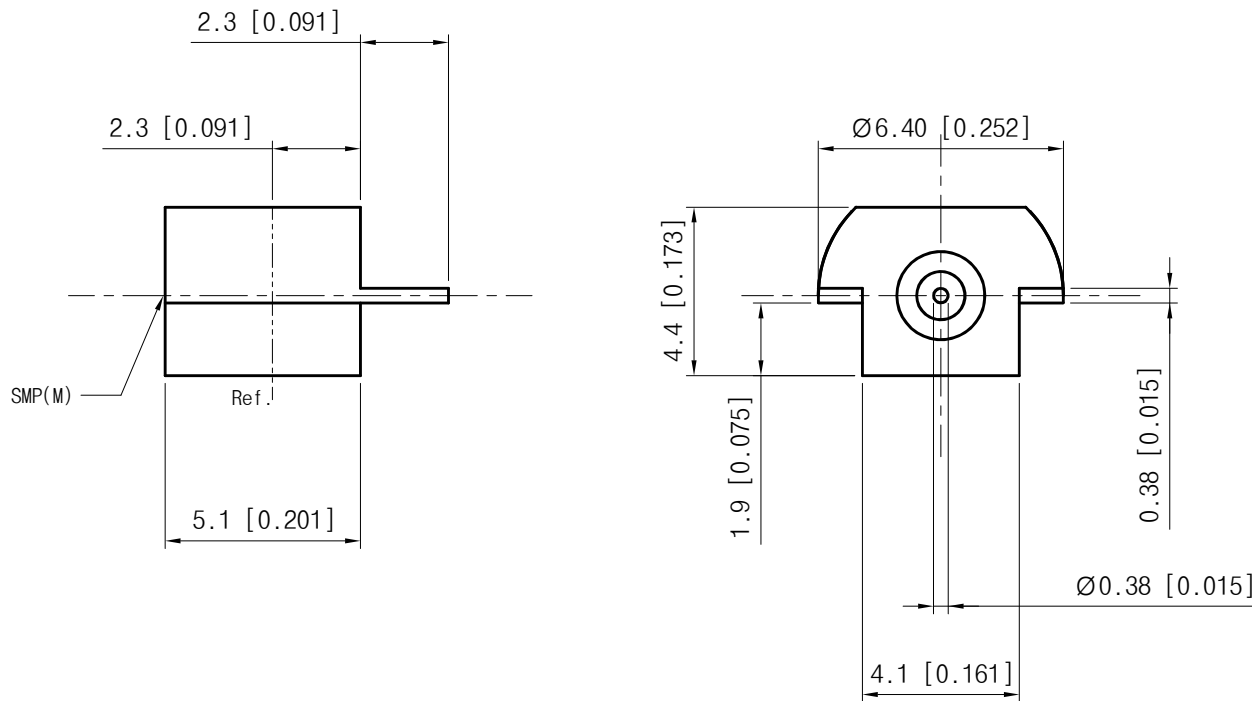


<Specification>

1. Material
 - 1) Body : Brass (Au Plated)
 - 2) Center Conductor : Brass (Au Plated)
 - 3) Insulator : PTFE
2. Electrical
 - 1) Impedance : 50Ω
 - 2) Frequency range : DC to 18GHz
3. Mechanical
 - 1) Durability : 1000 Cycles(S/B)
4. Environmental
 - 1) Temp. Range : -40°C to +125°C
 - 2) RoHS Compliant



Interface	Part No.
Smooth Bore	EL05MS001
Full Detent	EL05MS002

Title	SMP(M) Edge Mount
Part No.	EL05MS001~002

THE INFORMATION HEREON/HEREIN IS PROPRIETARY TO WITH-WAVE CO., LTD. IT SHALL NOT BE COUPIED, DISCLOSED OR USED(PARTIALLY OR WHOLLY) IN ANY MANNER WITHOUT PRIOR EXPRESSED WRITTEN AUTHORIZATION OF WITH-WAVE CO., LTD.

Scale	N/A	Date	2023. 07. 04
Unit	mm[inch]	Drawn	Sun

withwave

Rev. -