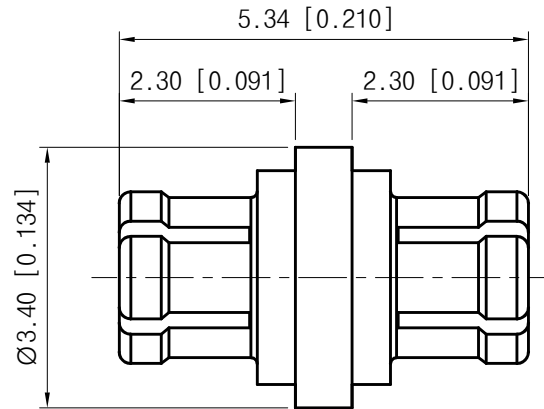


<Specification>

1. Material & Finish
 - 1) Body & Pin : BeCu(C17300), Gold Plated
 - Insulator : PTFE
2. Electrical
 - 1) Impedance : 50Ω
 - 2) Frequency range : DC to 67GHz
 - 3) VSWR : 1.35 : 1 (DC to 67GHz)
3. Mechanical
 - 1) Force to Engage & Disengage
 - Smooth Bore : 2.5 / 1.5 lbs
 - Full Detent : 4.5 / 6.5 lbs
 - 2) Axial misalignment : 0.005"
 - Radial misalignment : ±0.01"
 - 3) Mating cycles
 - Smooth Bore : 500
 - Full Detent : 100
4. RoHS free



Title	SMPM(F) to SMPM(F) Adapter (Bullet)
Part No.	AD17F17FS1

THE INFORMATION HEREON/HEREIN IS PROPRIETARY TO WITH-WAVE CO., LTD. IT SHALL NOT BE COUPIED, DISCLOSED OR USED(PARTIALLY OR WHOLLY) IN ANY MANNER WITHOUT PRIOR EXPRESSED WRITTEN AUTHORIZATION OF WITH-WAVE CO., LTD.

Scale	N/A	Date	2020. 07. 17
Unit	mm[inch]	Drawn	Teri K

withwave

Rev.
—