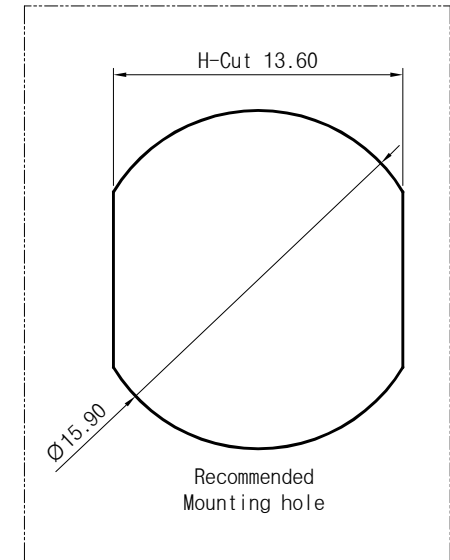
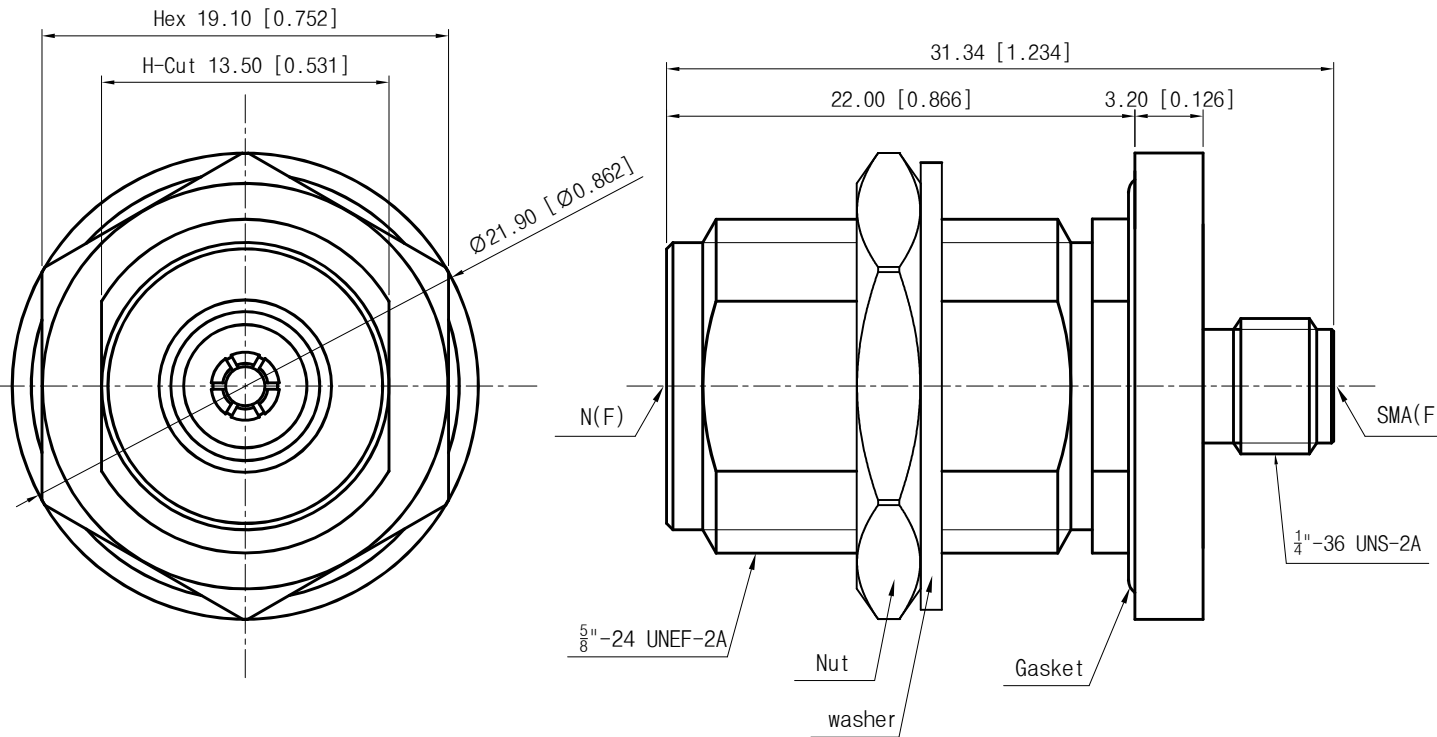


<Specification>

1. Electrical
 - 1-1. Impedance : 50Ω
 - 1-2. Frequency range : DC to 18GHz
 - 1-3. VSWR(dB) : 1.2 : 1(-20.08dB)
2. Material
 - 2-1. Body : Stainless Steel(STS303)
 - 2-2. Pin : BeCu(C17300)
 - 2-3. Insulator : PEI, Teflon
 - 2-4. Nut : Stainless Steel(STS303)
 - 2-5. Washer : Stainless Steel(STS303)
 - 2-6. Gasket : Rubber(red)
3. Mechanical
 - 3-1. Durability : 500 Cycles
4. RoHS Compliant



Title	N(F) to SMA(F) Bulkhead Adapter	
Part No.	AD07F06FS4	
		Rev.
		—

THE INFORMATION HEREON/HEREIN IS PROPRIETARY TO WITH-WAVE CO., LTD. IT SHALL NOT BE COUPIED, DISCLOSED OR USED(PARTIALLY OR WHOLLY) IN ANY MANNER WITHOUT PRIOR EXPRESSED WRITTEN AUTHORIZATION OF WITH-WAVE CO., LTD.

Scale	N/A	Date	2024. 10. 11
Unit	mm[inch]	Drawn	Teri K