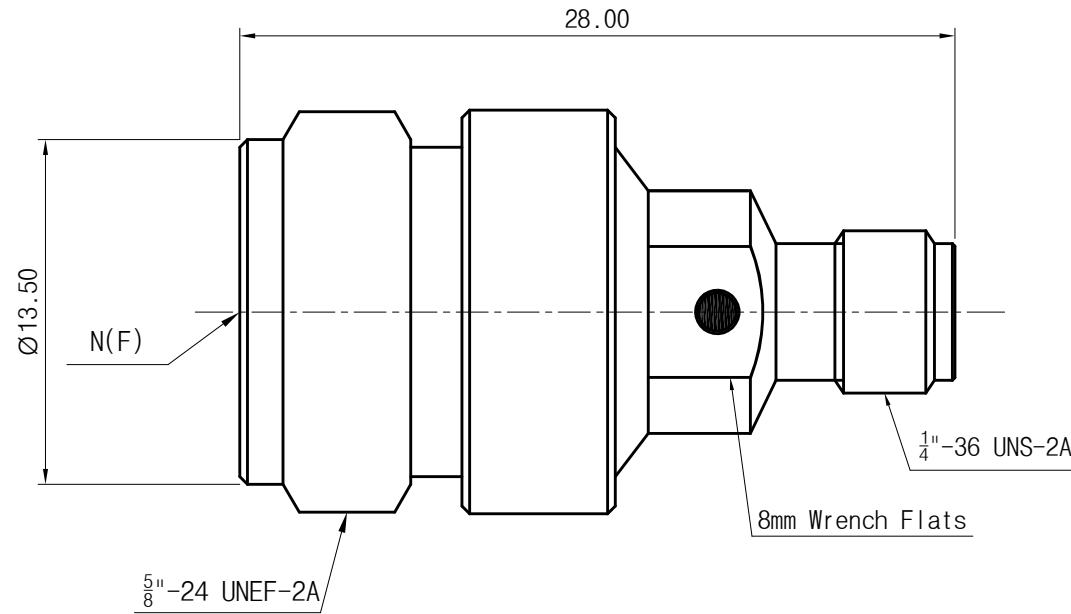


<Specification>

1. Electrical
 - 1-1. Impedance : 50Ω
 - 1-2. Frequency range : DC to 18GHz
 - 1-3. VSWR(dB) : 1.2 : 1(-20.83dB)
2. Material
 - 2-1. Body : Stainless Steel(STS303)
 - 2-2. Pin : BeCu(C1720)
 - 2-3. Insulator : Ultem1000
3. Mechanical
 - 3-1. Durability : 500 Cycles



Title	N(F) to SMA(F) Adapter
Part No.	AD07F06FS2

THE INFORMATION HEREON/HEREIN IS PROPRIETARY TO WITH-WAVE CO., LTD. IT SHALL NOT BE COUPIED, DISCLOSED OR USED(PARTIALLY OR WHOLLY) IN ANY MANNER WITHOUT PRIOR EXPRESSED WRITTEN AUTHORIZATION OF WITH-WAVE CO., LTD.

Scale	N/A	Date	2016. 01. 26
Unit	mm[inch]	Drawn	Ter i K

withwave

Rev.
—