

<Specification>

1. Material

- 1) Body : Brass (Gold Plated)
- 2) Center Conductor : BeCu (Gold Plated)
- 3) Insulator : PTFE

2. Electrical

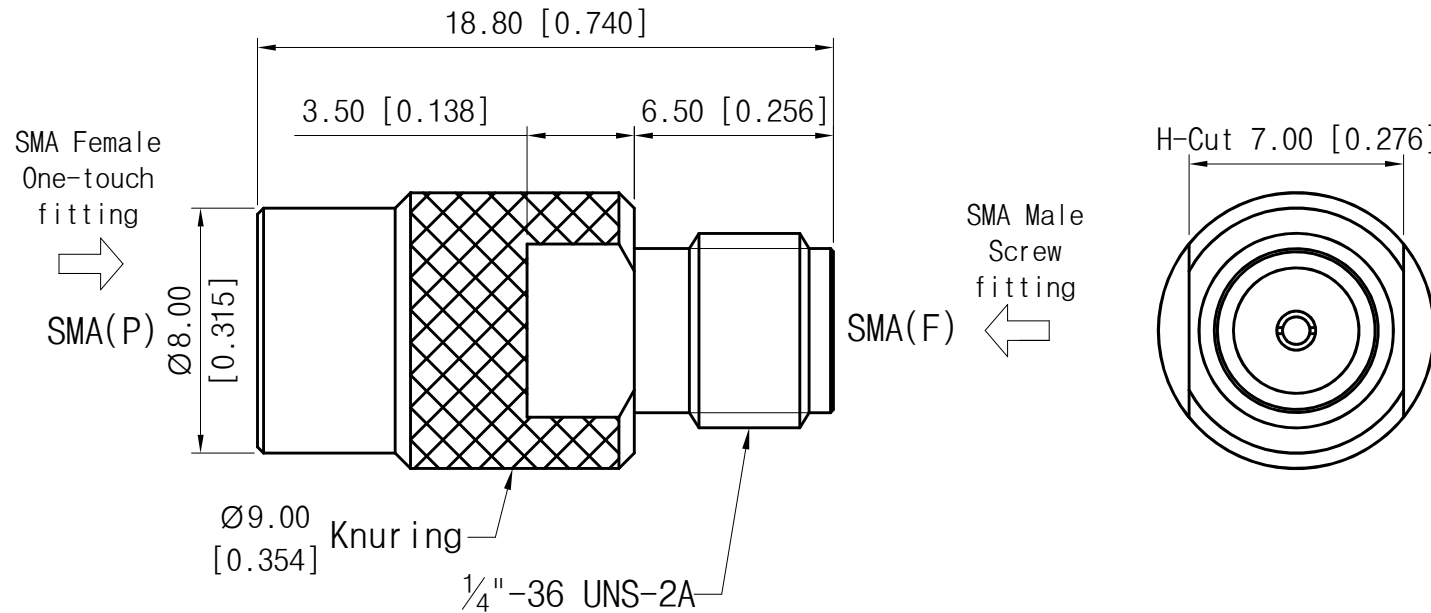
- 1) Impedance : 50Ω
- 2) Frequency range : DC to 18GHz
- 3) VSWR(dB) : 1.3 : 1(-17.6dB)

3. Mechanical

- 1) Durability : 500 Cycles

4. Environmental

- 1) Temp. Range : -40°C to +125°C
- 2) RoHS Compliant



Tolerance	Dimension	Range	Angle	Date	2021. 05. 13	Title	SMA(M) Quick Mate to SMA(F) Adapter
	0	±0.1	±2.0°	Approved	..	Part No.	AD06P06FS1
	0.X	±0.05	±1.0°	Checked	.		
0.XX	±0.03			Drawn	Teri K		
Scale		Unit	mm				

THE INFORMATION HEREON/HEREIN IS PROPRIETARY TO WITH-WAVE CO., LTD. IT SHALL NOT BE COUPIED, DISCLOSED OR USED(PARTIALLY OR WHOLLY) IN ANY MANNER WITHOUT PRIOR EXPRESSED WRITTEN AUTHORIZATION OF WITH-WAVE CO., LTD.