

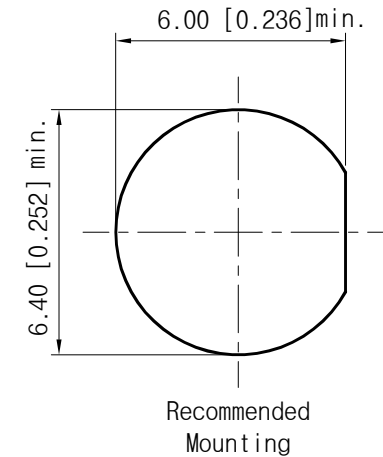
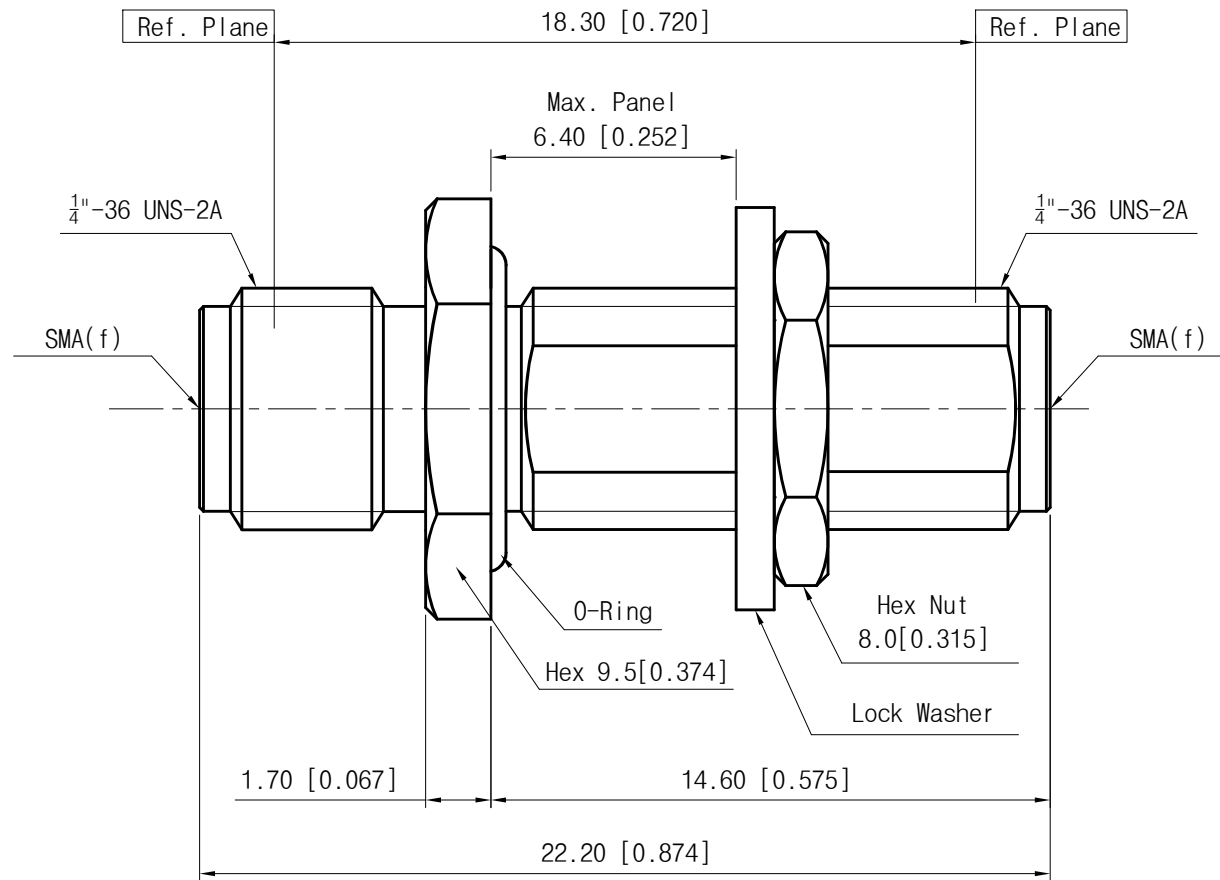
<Specification>

1. Electrical
  - 1-1. Impedance : 50Ω
  - 1-2. Frequency range : DC to 18GHz  
18 to 26.5GHz
  - 1-3. VSWR(dB) : 1.15 : 1(-23.13dB), DC to 18GHz  
1.3 : 1(-17.69dB), 18 to 26.5GHz

2. Material
  - 2-1. Body : Stainless Steel(STS303)
  - 2-2. Pin : BeCu(C17300)
  - 2-3. Insulator : PTFE350
  - 2-4. Hex Nut : Stainless Steel(STS303)
  - 2-5. Lock Washer : Stainless Steel(STS304)
  - 2-6. O-Ring : Silicon Rubber

3. Mechanical
  - 3-1. Durability : 500 Cycles

4. Environmental
  - 1) Temp. Range : -40°C to +125°C
  - 2) RoHS Compliant



Title	SMA(F) to SMA(F) Bulk type Adapter		
Part No.	AD06F06FS3		
Scale	N/A	Date	2018. 04. 24
Unit	mm[inch]	Drawn	Teri K
		Rev.	-

THE INFORMATION HEREON/HEREIN IS PROPRIETARY TO WITH-WAVE CO., LTD. IT SHALL NOT BE COUPIED, DISCLOSED OR USED(PARTIALLY OR WHOLLY) IN ANY MANNER WITHOUT PRIOR EXPRESSED WRITTEN AUTHORIZATION OF WITH-WAVE CO., LTD.

1  
2  
3  
4

1  
2  
3  
4

A B C D E F

A B C D E F