

<Specification>

1. Material

- 1) Body : Stainless Steel (Passivated)
Brass (Au Plated)
- 2) Center Conductor : Beryllium Copper (Au Plated)
- 3) Insulator : PTFE

2. Electrical

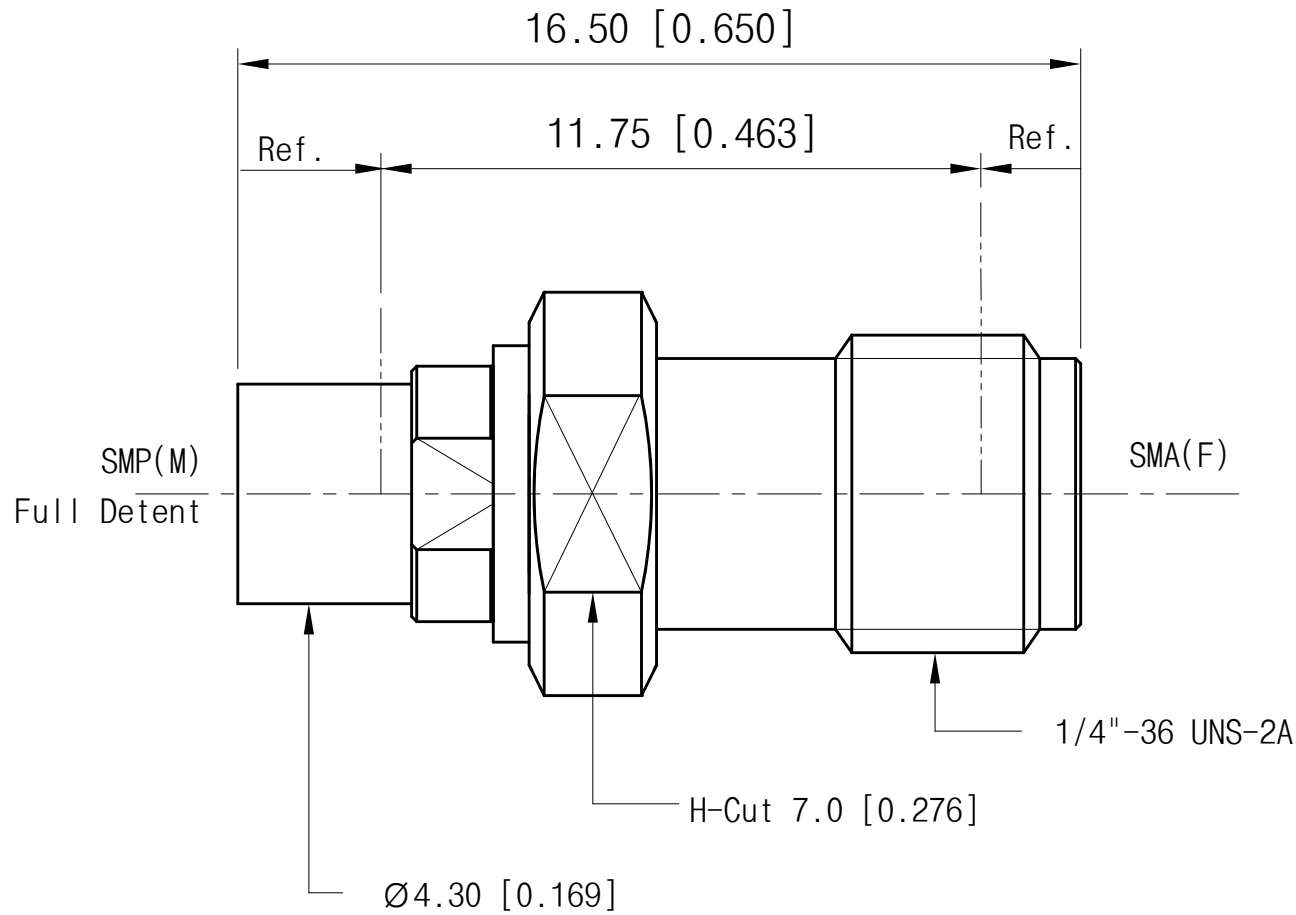
- 1) Impedance : 50Ω
- 2) Frequency range : DC to 26.5GHz
- 3) VSWR(dB) : 1.20 : 1(-20.8dB) @18GHz
1.30 : 1(-17.7dB) @18GHz
- 4) Withstanding Voltage : 500Vrms min


3. Mechanical

- 1) Durability : 100 Cycles (FD)

4. Environmental

- 1) Temp. Range : -40°C to +125°C
- 2) RoHS Compliant



Tolerance	Dimension	Range	Angle	Date	2022. 10. 17	Title	SMP(M) to SMA(F) Adapter
	0	±0.1	±2.0°	Approved	..	Part No.	AD05M06FS2
	0.X	±0.05	±1.0°	Checked	.		
0.XX	±0.03		Drawn	SUN.	Rev.		
Scale		Unit	mm				

THE INFORMATION HEREON/HEREIN IS PROPRIETARY TO WITH-WAVE CO., LTD. IT SHALL NOT BE COUPIED, DISCLOSED OR USED(PARTIALLY OR WHOLLY) IN ANY MANNER WITHOUT PRIOR EXPRESSED WRITTEN AUTHORIZATION OF WITH-WAVE CO., LTD.