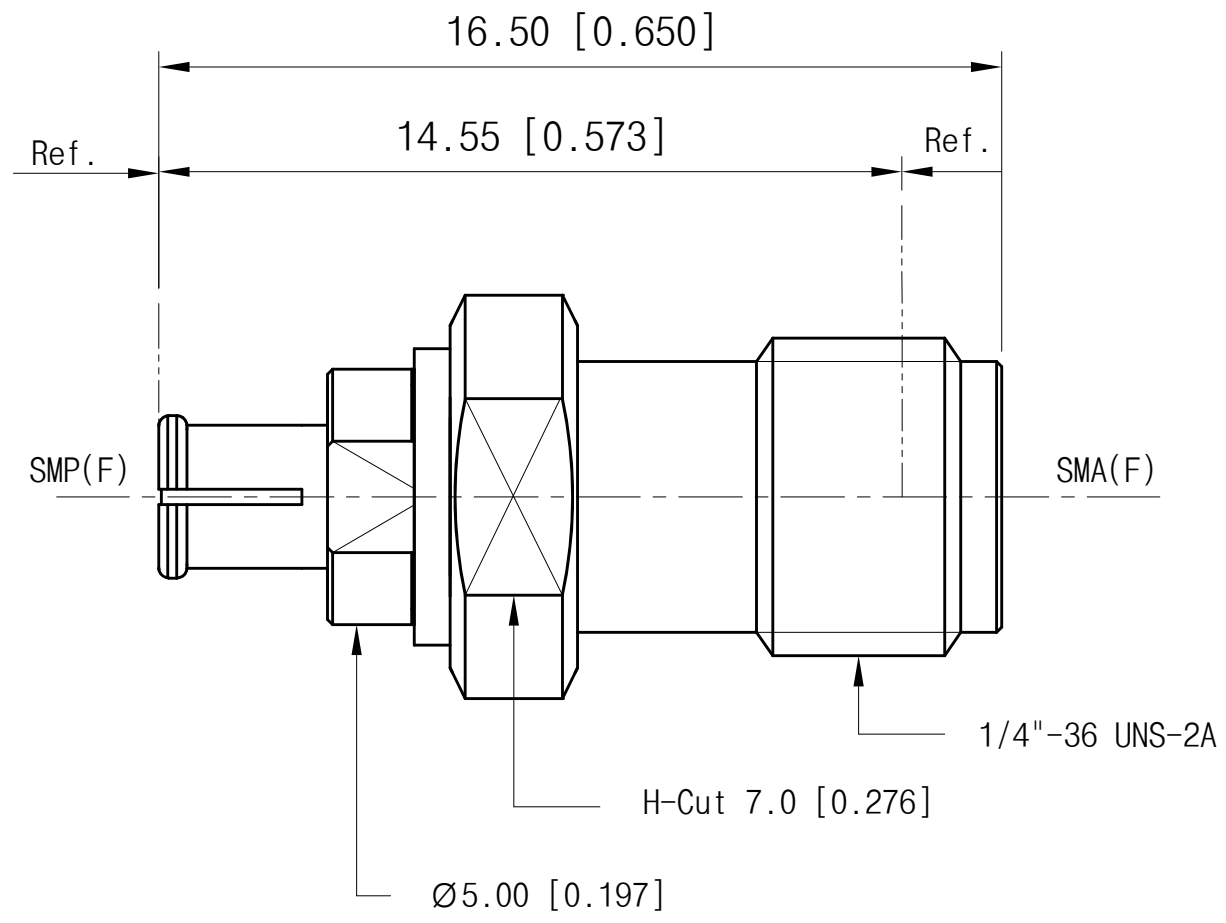


A B C D E F

<Specification>

- 1. Material
 - 1) Body : Stainless Steel (Passivated)
Beryllium Copper (Au Plated)
 - 2) Center Conductor : Beryllium Copper(Au Plated)
 - 3) Insulator : PTFE
- 2. Electrical
 - 1) Impedance : 50Ω
 - 2) Frequency range : DC to 26.5GHz
 - 3) VSWR(dB) : 1.20 : 1(-20.8dB) @18GHz
1.30 : 1(-17.7dB) @18GHz
 - 4) Withstanding Voltage : 500Vrms min
- 3. Mechanical
 - 1) Durability : 100 Cycles (FD)
- 4. Environmental
 - 1) Temp. Range : -40°C to +125°C
 - 2) RoHS Compliant



THE INFORMATION HEREON/HEREIN IS PROPRIETARY TO WITH-WAVE CO., LTD. IT SHALL NOT BE COUPIED, DISCLOSED OR USED(PARTIALLY OR WHOLLY) IN ANY MANNER WITHOUT PRIOR EXPRESSED WRITTEN AUTHORIZATION OF WITH-WAVE CO., LTD.

| | | | | | | | |
|-----------|-----------|-------|-------|----------|--------------|----------|--------------------------|
| Tolerance | Dimension | Range | Angle | Date | 2022. 10. 17 | Title | SMP(F) to SMA(F) Adapter |
| | 0 | ±0.1 | ±2.0° | Approved | .. | Part No. | AD05F06FS1 |
| | 0.X | ±0.05 | ±1.0° | Checked | . | | |
| 0.XX | ±0.03 | | | Drawn | SUN. | | |
| Scale | | Unit | mm | | | | |

A B C D E F