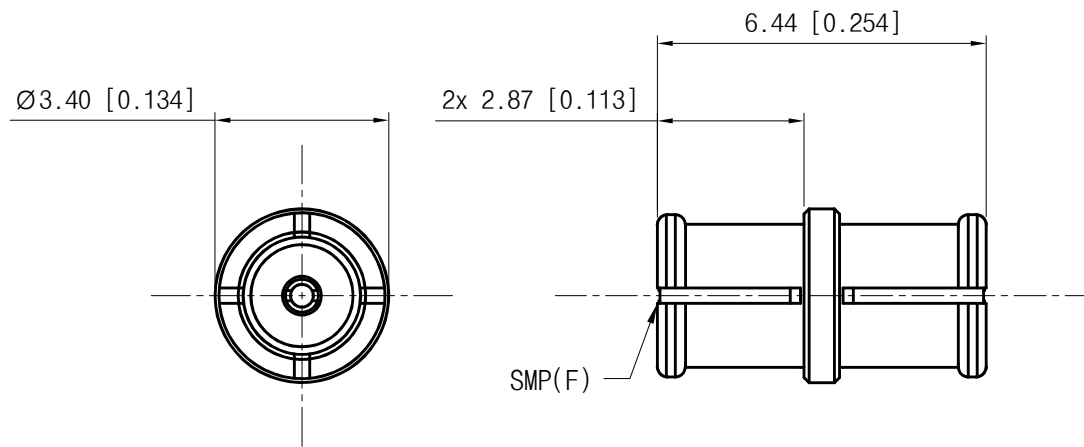


# <Specification>

1. Electrical
  - 1) Impedance : 50Ω
  - 2) Frequency range : DC to 40GHz
2. Material
  - 1) Body : BeCu (Au Plated)
  - 2) Center Conductor : BeCu (Au Plated)
  - 3) Insulator : PTFE
3. Mechanical
  - 1) Durability :
    - 100 Cycles min. when mated Full Detent Type.
    - 500 Cycles min. when mated Limited Detent Type.
    - 1000 Cycles min. when mated Smooth Bore Type.
4. Environmental
  - 1) Temp. Range : -65°C to +165°C
  - 2) RoHS Compliant



Title	SMP(F) to SMP(F) Adapter	
Part No.	AD05F05FS2	
Scale	N/A	Date
Unit	mm[inch]	Drawn
		Date
		Rev.

THE INFORMATION HEREON/HEREIN IS PROPRIETARY TO WITH-WAVE CO., LTD. IT SHALL NOT BE COUPIED, DISCLOSED OR USED(PARTIALLY OR WHOLLY) IN ANY MANNER WITHOUT PRIOR EXPRESSED WRITTEN AUTHORIZATION OF WITH-WAVE CO., LTD.

**withwave**

Rev. —