

<Specification>

1. Material

- 1) Body : Stainless Steel (Passivated)  
Beryllium Copper (Au Plated)
- 2) Center Conductor : Beryllium Copper(Au Plated)
- 3) Insulator : PTFE / ULTEM

2. Electrical

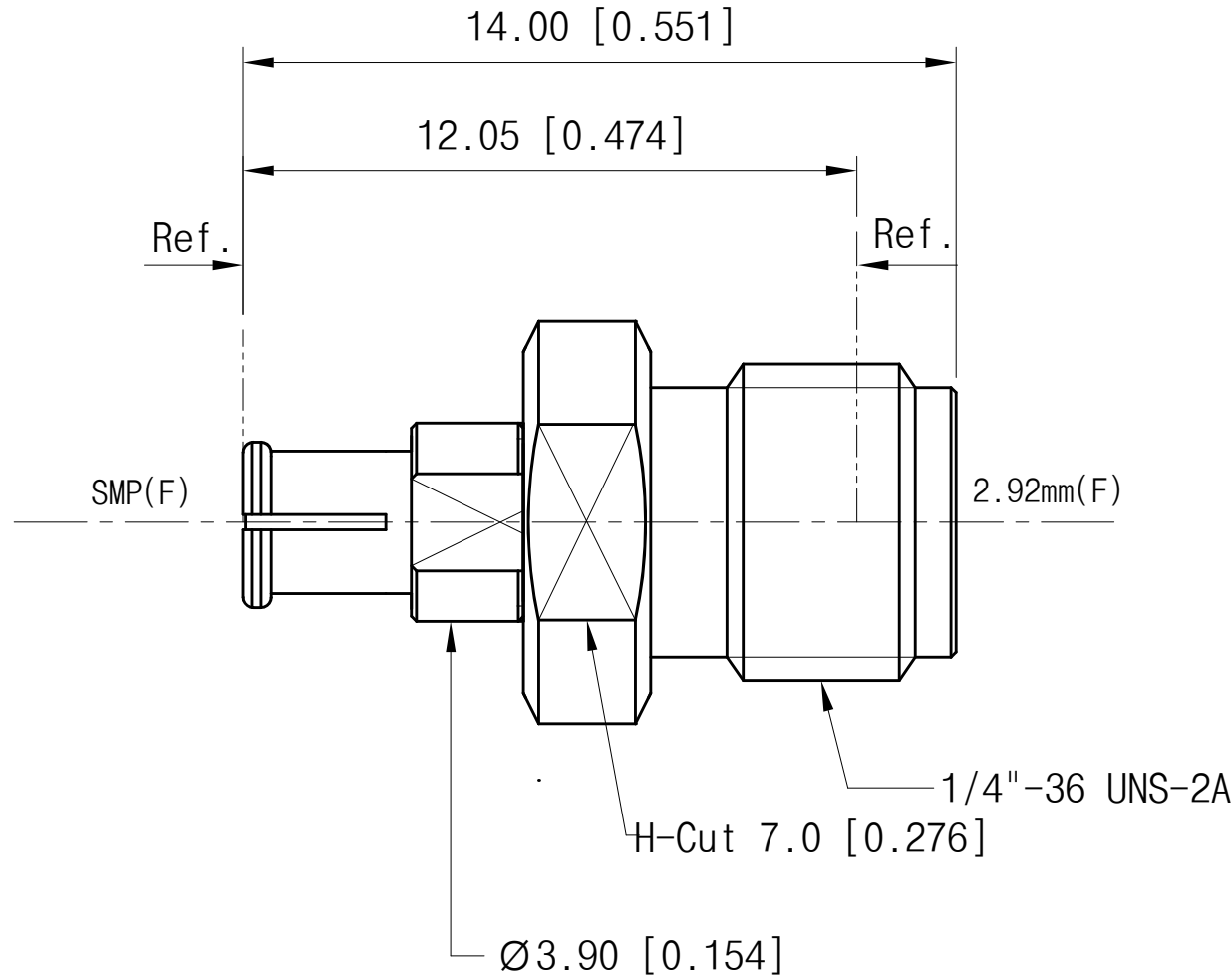
- 1) Impedance : 50Ω
- 2) Frequency range : DC to 40GHz
- 3) VSWR(dB) : 1.22 : 1(-20dB)
- 4) Withstanding Voltage : 500Vrms min


3. Mechanical

- 1) Durability : 100 Cycles (FD)  
1000 Cycles (SB)

4. Environmental

- 1) Temp. Range : -40°C to +125°C
- 2) RoHS Compliant



Tolerance	Dimension	Range	Angle	Date	2022. 10. 17	Title	SMP(F) to 2.92mm(F) Adapter
	0	±0.1	±2.0°	Approved	..	Part No.	AD05F03FS1
	0.X	±0.05	±1.0°	Checked	.		
0.XX	±0.03		Drawn	SUN.	Rev.		
Scale		Unit	mm				

THE INFORMATION HEREON/HEREIN IS PROPRIETARY TO WITH-WAVE CO., LTD. IT SHALL NOT BE COUPIED, DISCLOSED OR USED(PARTIALLY OR WHOLLY) IN ANY MANNER WITHOUT PRIOR EXPRESSED WRITTEN AUTHORIZATION OF WITH-WAVE CO., LTD.