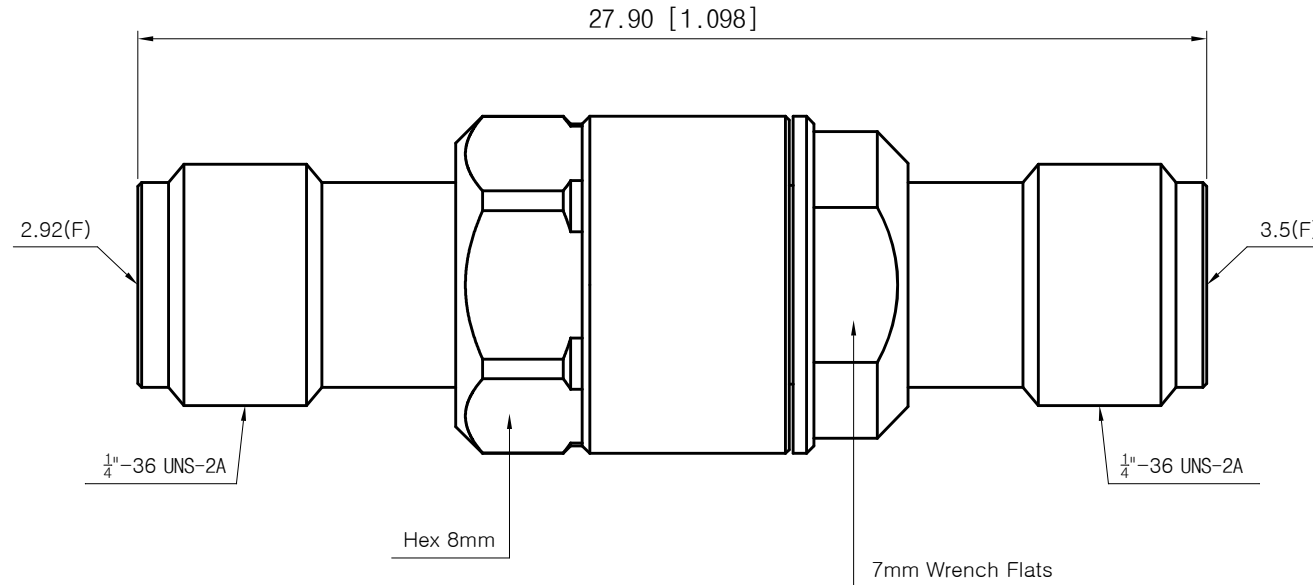


<Specification>

1. Electrical
  - 1-1. Impedance : 50Ω
  - 1-2. Frequency range : DC to 34GHz
  - 1-3. VSWR(dB) : 1.25 : 1(-19.08dB)
2. Material
  - 2-1. Body : Stainless Steel(STS303)
  - 2-2. Pin : BeCu(C1720)
  - 2-3. Insulator : Ultem1000
3. Mechanical
  - 3-1. Durability : 500 Cycles



Title	2.92mm(F) to 3.5mm(F) Adapter
Part No.	AD03F04FS1

THE INFORMATION HEREON/HEREIN IS PROPRIETARY TO WITH-WAVE CO., LTD. IT SHALL NOT BE COUPIED, DISCLOSED OR USED(PARTIALLY OR WHOLLY) IN ANY MANNER WITHOUT PRIOR EXPRESSED WRITTEN AUTHORIZATION OF WITH-WAVE CO., LTD.

Scale	N/A	Date	2020. 05. 21
Unit	mm[inch]	Drawn	Ter i K

**withwave**

Rev.  
—