

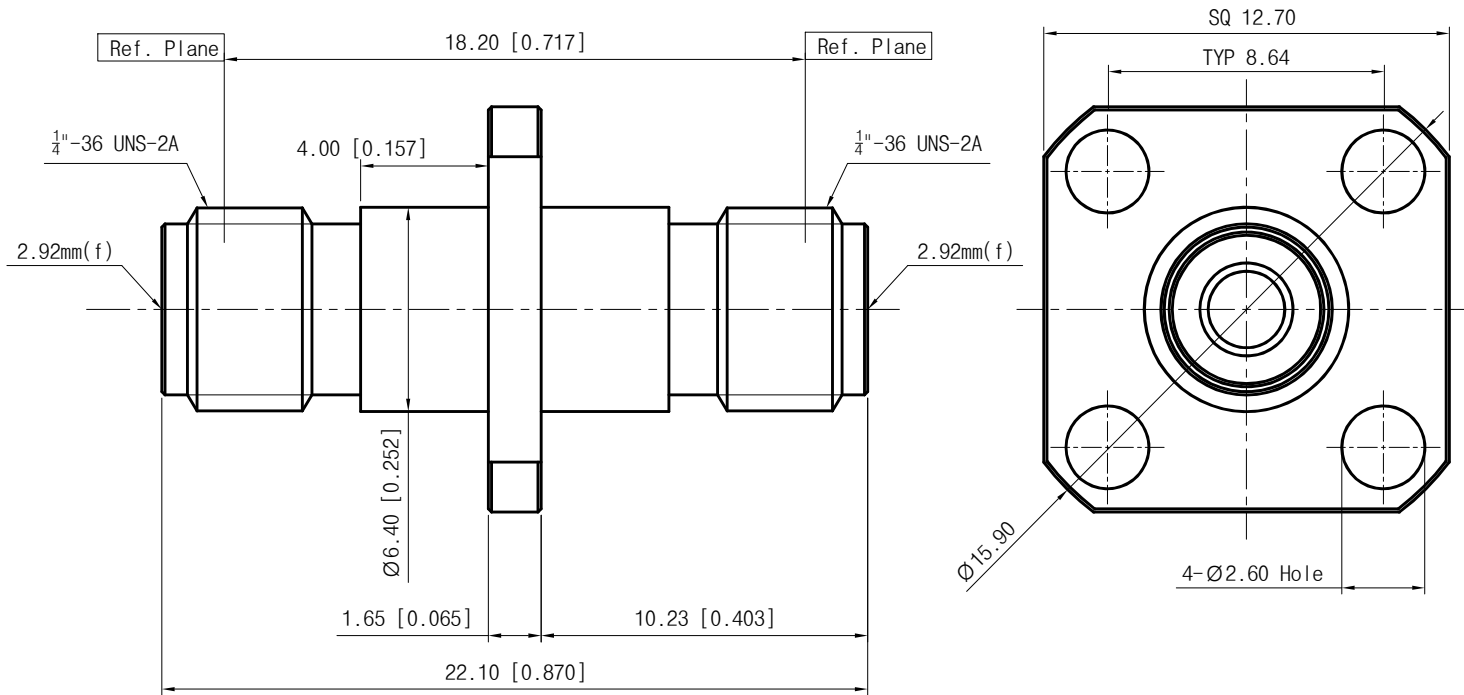
<Specification>

1. Electrical
 - 1-1. Impedance : 50Ω
 - 1-2. Frequency range : DC to 40GHz
 - 1-3. VSWR(dB) : 1.3 : 1(Max.)
 - 1-4. Insertion Loss : 0.25dB max.

2. Material
 - 2-1. Body : Stainless Steel(STS303)
 - 2-2. Pin : BeCu(C1720)
 - 2-3. Insulator : Uitem1000

3. Mechanical
 - 3-1. Durability : 500 Cycles

4. Environmental
 - 1) Temp. Range : -40°C to +125°C
 - 2) RoHS Compliant



Title	2.92mm(F) to 2.92mm(F) 4Hole type Adapter
Part No.	AD03F03FS5

THE INFORMATION HEREON/HEREIN IS PROPRIETARY TO WITH-WAVE CO., LTD. IT SHALL NOT BE COUPIED, DISCLOSED OR USED(PARTIALLY OR WHOLLY) IN ANY MANNER WITHOUT PRIOR EXPRESSED WRITTEN AUTHORIZATION OF WITH-WAVE CO., LTD.

Scale	N/A	Date	2023. 07. 28
Unit	mm[inch]	Drawn	Teri K

withwave

Rev.
—