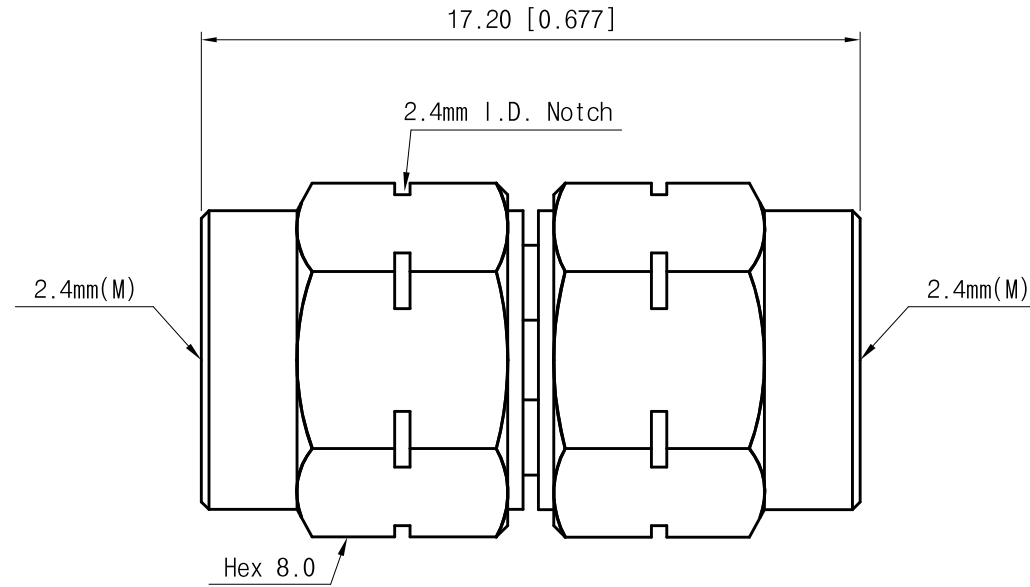


<Specification>

1. Electrical
  - 1-1. Impedance : 50Ω
  - 1-2. Frequency range : DC to 50GHz
  - 1-3. VSWR(dB) : 1.2 : 1(-20.83dB)
2. Material
  - 2-1. Body : Stainless Steel(STS303)
  - 2-2. Pin : Brass(C3604)
  - 2-3. Insulator : Ultem1000
  - 2-4. Coupling Nut : Stainless Steel(STS303)
3. Mechanical
  - 3-1. Durability : 500 Cycles



|          |                              |
|----------|------------------------------|
| Title    | 2.4mm(M) to 2.4mm(M) Adapter |
| Part No. | AD02M02MS1                   |

THE INFORMATION HEREON/HEREIN IS PROPRIETARY TO WITH-WAVE CO., LTD. IT SHALL NOT BE COUPIED, DISCLOSED OR USED(PARTIALLY OR WHOLLY) IN ANY MANNER WITHOUT PRIOR EXPRESSED WRITTEN AUTHORIZATION OF WITH-WAVE CO., LTD.

|       |          |       |              |
|-------|----------|-------|--------------|
| Scale | N/A      | Date  | 2015. 04. 22 |
| Unit  | mm[inch] | Drawn | Ter i K      |

**withwave**

Rev.  
-