

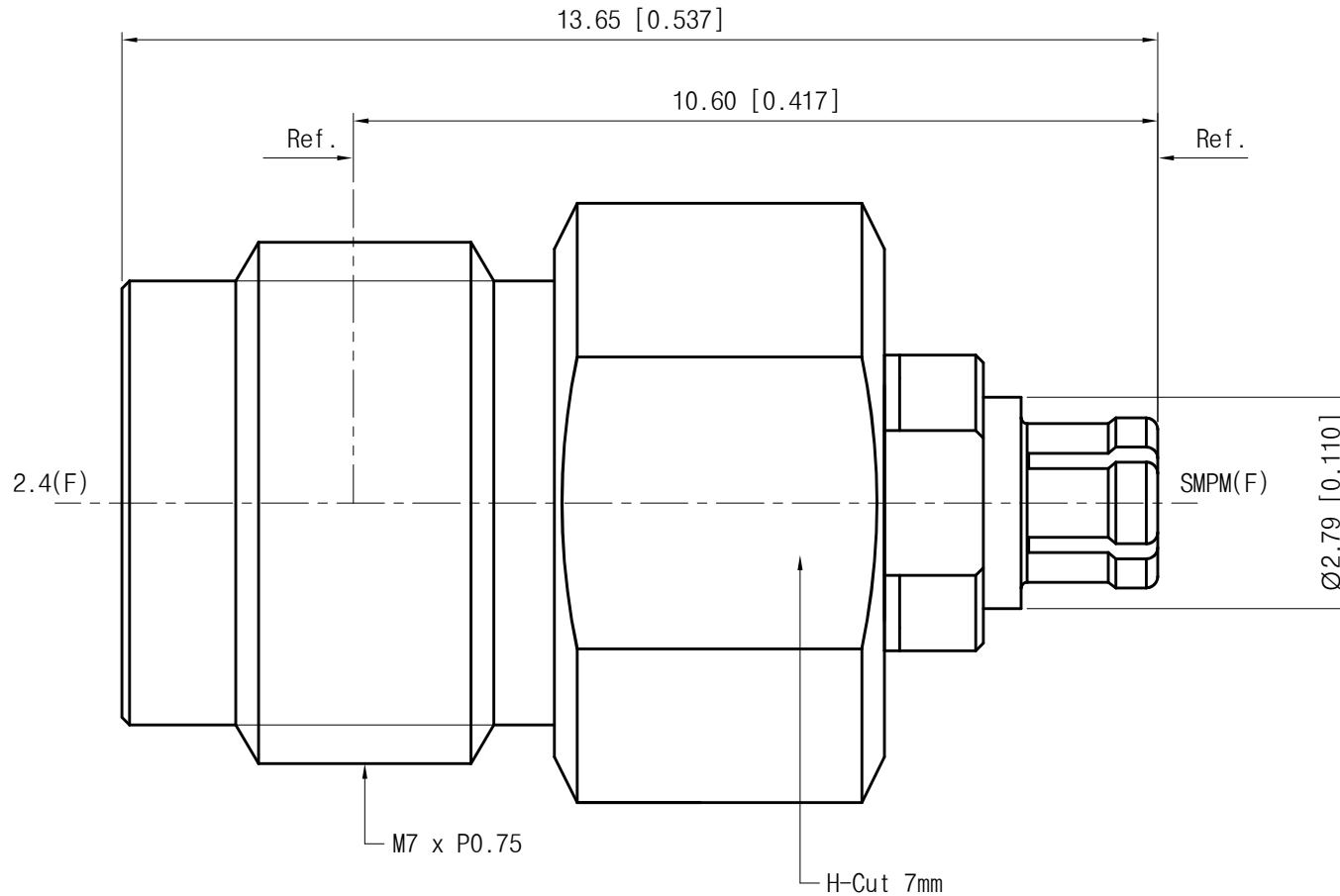
<Specification>

1. Material & Finish
 - 1) Body01 : SUS303, Passivated
 - 2) Body02 : BeCu(C17300), Gold Plated
 - 3) Pin : BeCu(C17300), Gold Plated
 - 4) Insulator : Ultem 1000

2. Electrical
 - 1) Impedance : 50Ω
 - 2) Frequency range : DC to 50GHz
 - 3) VSWR : 1.2 : 1 (DC to 40GHz)
1.4 : 1 (40 to 50GHz)

3. Mechanical
 - 1) Force to Engage & Disengage
 - Smooth Bore : 2.5 / 1.5 lbs
 - Full Detent : 4.5 / 6.5 lbs
 - 2) Axial misalignment : 0.005"
Radial misalignment : ±0.01"
 - 3) Mating cycles
 - Smooth Bore : 500
 - Full Detent : 100

4. RoHS free



Title	2.4(F) to SMPM(F) Adapter
Part No.	AD02F17FS1

THE INFORMATION HEREON/HEREIN IS PROPRIETARY TO WITH-WAVE CO., LTD. IT SHALL NOT BE COUPIED, DISCLOSED OR USED(PARTIALLY OR WHOLLY) IN ANY MANNER WITHOUT PRIOR EXPRESSED WRITTEN AUTHORIZATION OF WITH-WAVE CO., LTD.

Scale	N/A	Date	2021. 03. 17
Unit	mm[inch]	Drawn	Teri K

withwave

Rev.
—